



Enodis

COMBICRAFT™ COMBI OVEN/STEAMERS

CombiCraft™ COMBINATION OVEN/STEAMERONE COMPARTMENT, HALF SIZE, FLOOR MODEL
GAS FIRED, "SPLASH PROOF SERIES"MODEL: CCG-106M *NET***Cleveland Standard Features**

- Multi-Purpose Oven offers Pressureless Convection cooking in a variety of cooking modes; featuring Automatic Reversible Fan operation for superior Convection Cooking.
 - ✓ Hot Air Convection.
 - ✓ Pressureless Convection Steamer.
 - ✓ Combination of Convection Steamer and Hot Air.
- Reliable, easy to operate mechanical controls feature:
 - ✓ One 100 minute Mechanical Dial Timer Control.
 - ✓ One 125-520 degree Mechanical Dial Temperature control.
 - ✓ One Mechanical Dial Control for three modes of cooking operation; Hot Air, Steaming or Combi.
 - ✓ Automatic Fast Cool Down Control.
 - ✓ Humidity Release Control removes excess moisture from Compartment.
 - ✓ Generator Drain Control.
- User-friendly control panel has many standard features for superior cooking performance.
- Oven Compartment comes with Three Stainless Steel Wire Shelves.
- Fully-insulated Cooking Compartment and Steam Generator for thermal efficiency. Easy to clean Die Pressed interior compartment features a Coved Corner design.
- Heavy Gauge Stainless Steel Gas Fired Steam Generator with 38,000 BTU/11.1 kW power rating features an Easy Access Delimiting Port and Electronic Spark Ignition for easy start up. Reliable Electronic Controls monitor Water Level and safety functions in steam generator.
- Standard with Adjustable Left Hand Door Hinging and Large Glass Window to observe cooking operation. Removable Double Door Gasket Seal prevents leaking. Safety Switch stops fan when compartment door is opened.
- Compartment Door Condensate Drip Tray automatically empties into floor drain.
- NSF Approved 6" Stainless Steel Adjustable Legs: provides one inch level adjustment.
- Standard voltage for controls is 115 volts, 60 Hz, single phase.
- Compartment has the capacity for:
 - ✓ Five 12" x 20" x 1" Steam Table Pans.
 - ✓ Five 12" x 20" x 2½" Steam Table Pans.
- Compartment Racks with Five Slide Levels.

ITEM NUMBER _____

JOB NAME / NUMBER _____

**Short Form Specifications**

Shall be CLEVELAND, CombiCraft®, Floor Type Multi-Purpose Oven, Model CCG-106M with simple to operate Mechanical Compartment Controls. Cooking modes for: Hot Air Convection; Low and High Temperature Convection Steam; combination of Hot Air and Steam; variable Steam Exhaust Condensation Control; Butterfly Valve to regulate humidity exhaust.

Options & Accessories

- Grease Filter Model (FX-106)
- Additional Stainless Steel Wire Shelves (WS5)
- Steam Table Pans in depths of 1", 2½" or 4"
- Spray Hose with 60" Flexible Hose for Cleaning (SH-60)
- Dissolve Liquid Descaling Kit (10617413)

SECT. II PAGE 3A
0402

Cleveland Range, LLC

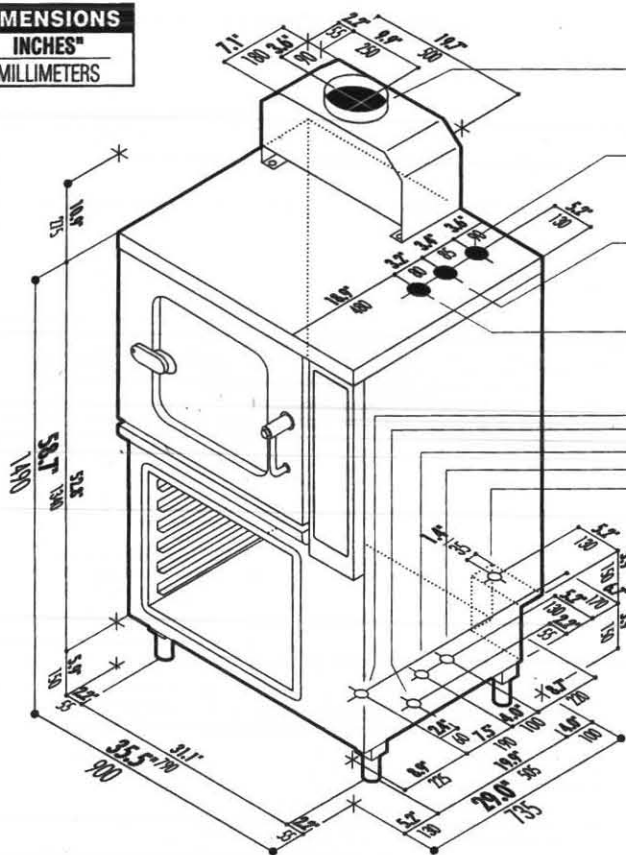
1333 East 179th St., Cleveland, Ohio, U.S.A. 44110

Ph: 1-216-481-4900

Fx: 1-216-481-3782

Web Site: www.clevelandrange.com

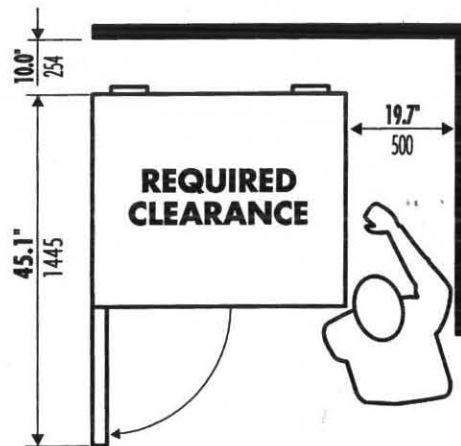
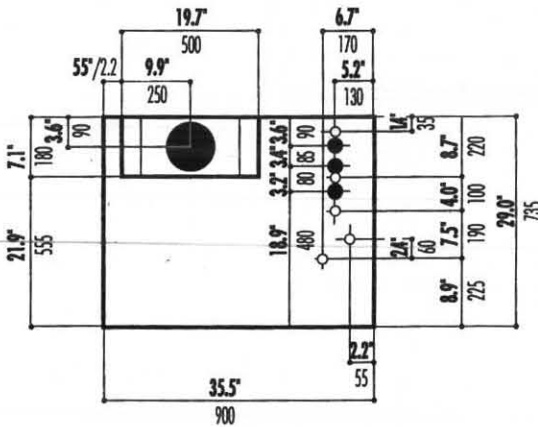
DIMENSIONS
INCHES*
MILLIMETERS



- FLUE DIVERTER (OPTIONAL)**
OUTLET Ø 6.0"/150 mm
- INLET FOR**
DESCALING SOLUTION
- SAFETY VENT HOLE**
Ø 1.2"/30 mm
- DRAIN EXHAUST VENT**
Ø 2.0"/50 mm
- MAIN GAS SUPPLY**
220,000 BTU/64.5 kW
Ø 3/4" IPS
- MAIN ELECTRIC**
POWER SUPPLY
- UNTREATED COLD WATER**
SUPPLY FOR CONDENSER
Ø 3/4" IPS
- HOT WATER (MAX 122°F/50°C)**
OR TREATED COLD WATER SUPPLY
FOR STEAM GENERATOR Ø 3/4" IPS
- DRAIN Ø 2.0"/50 mm**
NOTE: DO NOT CONNECT ANY
OTHER UNITS TO THIS DRAIN.
DRAIN MUST VENTED.

AGENCY APPROVALS:
AGA, NSF, CGA

SHIPPING WEIGHT:
495 Lbs./225 Kg.



ELECTRIC CONSUMPTION (3 PH)	GAS	WATER
MODEL CCG-106M 0.5 kW	HOT AIR - 38,000 BTU/11.1 kW STEAM GENERATOR - 38,000 BTU/11.1 kW MAX. LOAD IN COMBI MODE - 60,000/17.1 kW	35 PSI MIN., 60 PSI MAX.
ELECTRICAL DATA 115/60/1	SUPPLY PRESSURE	WATER CONSUMPTION
MIN. WIRE AMPACITY 15 AMPS	NATURAL	MAX. FOR STEAM PRODUCTION = 2.4 Gal./Hr.
MAX TIME DELAY FUSE 15 AMPS	4.5"/114.3 mm W.C. MIN.	AVERAGE FOR STEAM CONDENSER = 4.2 Gal./Hr.
MACHINE LOAD AMPS 9 AMPS	14"/355.6 mm W.C. MAX.	TOTAL = 6.6 Gal./Hr.
	PROPANE	
	11"/279.4 mm W.C. MIN.	
	14"/355.6 mm W.C. MAX.	
	Manufacturer must be notified if unit will be used above 2,000 ft. altitude.	

NOTES:
Cleveland Range reserves right of design improvement or modification, as warranted.
Many regional, state and local codes exist and it is the responsibility of the owner and installer to comply with the codes.