



# Portable Micro-Flo

Project \_\_\_\_\_  
 Item \_\_\_\_\_  
 Quantity \_\_\_\_\_  
 CSI Section 11400 \_\_\_\_\_  
 Approval \_\_\_\_\_  
 Date \_\_\_\_\_

Portable Micro-Flo

## Models

- MF90U/80
- MF90AU/80

- MF90U/80LP
- MF90AU/80LP

- MF90U/110
- MF90AU/110



MF90AU/80  
Micro-Flo Portable Oil Filter

## Standard Features

- 80-lb or 110-lb oil capacities
- 4 GPM steel gear pump with powerful 1/3 HP motor
- 5' (152 cm) return hose; AU models include nozzle screen
- Stainless-steel pan and pump housing
- Lid with opening for return hose
- Heavy-duty welded construction on casters
- Filter starter kit: filtration powder sample, 25 sheets filter paper, clean-out rod, gloves and cleaning brush

## Options & Accessories

- See Dean Price List for filter supplies and optional filtering accessories

## Specifications

### **Designed to support good oil station management and maximize oil life**

Dean Micro-Flo, large-capacity, heavy-duty portable oil filtration units are designed to make routine filtration easy and efficient. Compatible with almost any fryer, the portable filters come standard with a gravity drain (U Models) and are available with a reversible pump feature (AU models) for removal of frypot oil when needed as with countertop fryers. Regular filtration reduces oil costs, dramatically improves food flavor and extends oil life.

Clean and polish your cooking oil with Micro-Flo's special recycling process. By using filter paper and special acid-absorbing powder, the Micro-Flo portable filter removes oil contaminants from micron-sized particles to food sediment, to solid food crumbs, that compromise flavor profiles and reduce useful oil life. The result is an exten-

sion of the useful cooking life of oil, reduced oil costs and consistent production of high-quality food.

The powerful 4 GPM pump automatically recycles the oil and returns it to your fryer. Sediment is trapped in the filter paper within the filter pan allowing for easy cleanup.

Select the filter size you need -- Dean portable oil filters are available in 80 lb. and 110 lb. (40 and 55 liter) capacities. For ease in filtering, all Dean filters will fit under the drain of all Dean fryers. Due to low pan height, the MF90U/80LP and MF90AU/80LP can fit under the drain of most fryers.

Dean portable filters are easy to use, quick and conveniently self contained.

These filters carry a one-year warranty, parts and labor.



5489 Campus Drive  
 Shreveport, LA 71129  
 USA

Tel: 318-865-1711  
 Tel: 1-800-221-4583  
 Fax: 318-868-5987  
 E-mail: [info@dean.enodis.com](mailto:info@dean.enodis.com)

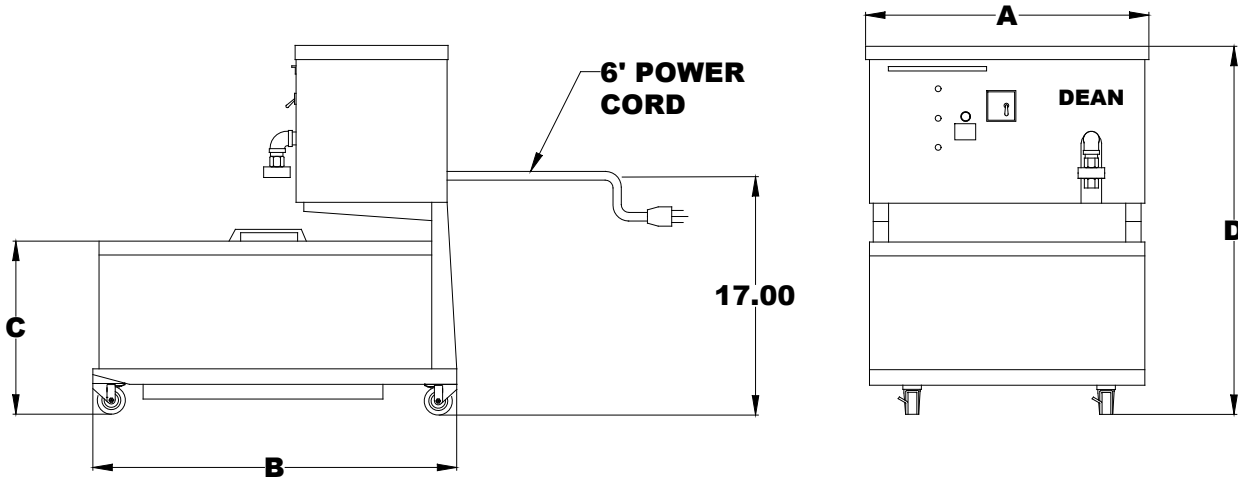
<http://dean.enodis.com>  
 Bulletin No. 830-0047 1/09





# Portable Micro-Flo

Model # \_\_\_\_\_  
CSI Section 11400



## DIMENSIONS

MODEL NO.	OIL CAPACITY	SIZE (CM)				SHIPPING lbs./cu. ft. (kg/m <sup>3</sup> )
		A WIDTH	B DEPTH	C TANK HT.	D OVERALL HEIGHT	
MF90U/80 MF90AU/80	80 lb. max. (40 liter)	18-1/4" (46)	24-3/4" (63)	11-1/4" (28)	24-1/8" (61)	120/8 (54/0,23)
MF90U/80LP MF90AU/80LP	80 lb. max. (40 liter)	18" (46)	34-3/4" (88)	9-5/8" (24)	24" (61)	147/8 (66/0,23)
MF90U/110 MF90AU/110	110 lb. max. (55 liter)	18-1/4" (46)	24-3/4" (63)	13-1/4" (33)	26-3/8" (67)	125/8 (56/0,23)

## POWER REQUIREMENTS

(All Models): 120V/60~/1Ø-6.2A

## ORDERING DATA

Please specify:  
Model number  
Gravity drain (U) or suction type (AU)

## SHORT TERM SPECIFICATION

The following description will assist with ordering the features desired for this equipment:

Shall be DEAN portable Micro-Flo oil filter, Model \_\_\_\_\_.  
Only \_\_\_\_\_" wide and \_\_\_\_\_" deep, \_\_\_\_\_# oil capacity,  
requiring 120V/6.2A.

5489 Campus Drive  
Shreveport, LA 71129  
USA

Tel: 318-865-1711  
Tel: 1-800-221-4583  
Fax: 318-868-5987  
E-mail: [info@dean.enodis.com](mailto:info@dean.enodis.com)

<http://dean.enodis.com>  
Bulletin No. 830-0047 1/09  
Litho in U.S.A. ©Frymaster

