



Profit from the Eagle Advantage®

Specification Sheet

Short Form Specifications

Eagle 1800 / 2200 Series Modular Add-On Hand Sinks, model _____. Top, front, sink and backsplash to be heavy gauge type 304 stainless steel. Sink to be deep-drawn 10" x 14" x 10" deep with faucet, splash mounted. Predrilled mounting holes on both ends. Two knocked-down channel/gusset and galvanized leg assemblies with adjustable bullet feet furnished.



#MA2-18 hand sink unit for 1800 Series units

Options / Accessories

- Stainless steel leg kits

EAGLE GROUP

100 Industrial Boulevard, Clayton, DE 19938-8903 USA

Phone: 302-653-3000 • Fax: 302-653-2065

www.eaglegrp.com

Foodservice Division: Phone 800-441-8440

MHC/Retail Display Divisions: Phone 800-637-5100

For custom configuration or fabrication needs, contact our SpecFAB® Division.

Phone: 302-653-3000 • Fax: 302-653-3091 • e-mail: specfab@eaglegrp.com

Item No.: _____
Project No.: _____
S.I.S. No.: _____

Modular Add-On Hand Sinks for 1800 and 2200 Series Units

MODELS:

- MA2-18

- MA2-22

Design and Construction Features

- Modular add-on hand sinks align to adjoining 1800 series or 2200 series units via predrilled mounting holes and pan-head screws.
- 10" x 14" x 10" (254 x 356 x 254mm) sink bowl.
- Standard faucet and 1½" (38mm) basket drain.
- Units come with knocked-down gusset/channel and galvanized leg assemblies.
- New bullnose front edge.
- Predrilled mounting holes on both ends.
- Standard faucet.
- Basket drain.
- Tubular legs.
- Add-On units attach to either end of underbar unit.
- Models available for use with both 1800 Series and 2200 Series underbar units.



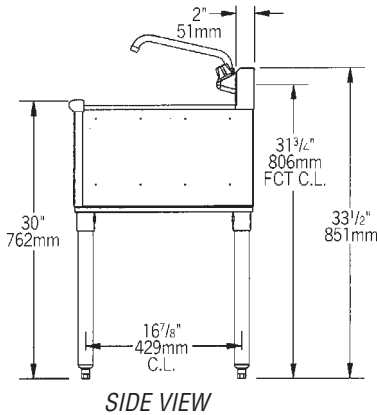
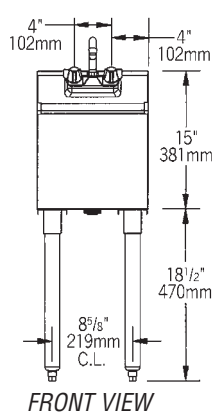
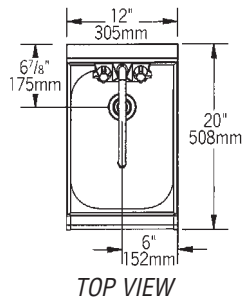


Profit from the Eagle Advantage®

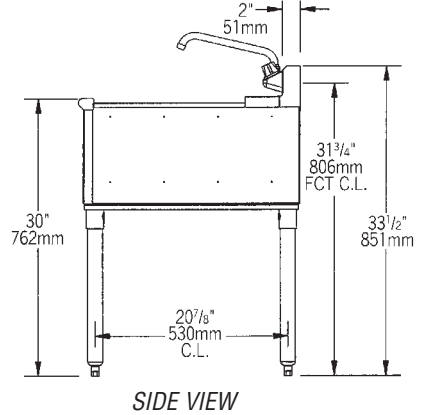
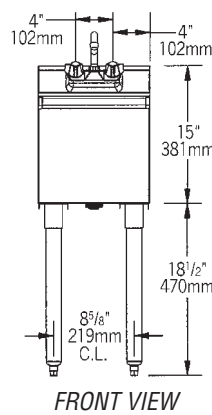
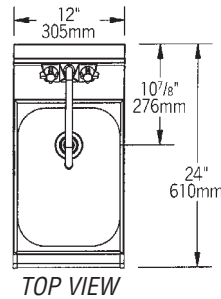
Item No.: _____
 Project No.: _____
 S.I.S. No.: _____

Modular Add-On Hand Sinks for 1800 and 2200 Series Units

Model #MA2-18 for 1800 Series



Model #MA2-22 for 2200 Series



model #	width		length		weight	
	in.	mm	in.	mm	lbs.	kg
MA2-18	20"	508	12"	305	26	11.8
MA2-22	24"	610	12"	305	34	15.4

Optional Stainless Steel Leg Kits

add suffix #	description
-SL	stainless steel leg assemblies
-SLF	stainless steel leg assemblies & stainless steel feet
-SLG	stainless steel leg assemblies & stainless steel gussets
-SLGF	stainless steel leg assemblies, stainless steel feet & gussets

EAGLE GROUP
 100 Industrial Boulevard, Clayton, DE 19938-8903 USA
 Phone: 302-653-3000 • Fax: 302-653-2065
 www.eaglegrp.com

Foodservice Division: Phone 800-441-8440
 MHC/Retail Display Divisions: Phone 800-637-5100

Printed in U.S.A.
 ©2009 by Eagle Group

Rev. 09/09

Spec sheets available for viewing, printing or downloading from our online literature library at www.eaglegrp.com

Although every attempt has been made to ensure the accuracy of the information provided, we cannot be held responsible for typographical or printing errors. Information and specifications are subject to change without notice. Please confirm at time of order.