

Newer units use different style tilt components, which are the style of the Universe Series. There is no serial number break, you will need to call factory with model and serial number to determine which is being used if the one in this manual does not match their style.

1 75
Reprinted 3 73

MODULAR ELECTRIC TILTING SKILLET MODELS 1600 & 1800 PARTS & SERVICE MANUAL

TABLE OF CONTENTS ELECTRIC

1. OPERATING INSTRUCTIONS	1
2. INSTALLING TILT PAN SUPPORT	1
3. HOW TO REPLACE THE THERMOSTAT	1
4. HOW TO CALIBRATE THERMOSTAT	2
5. HOW TO REMOVE ELEMENTS	2
6. TILT PAN ASSEMBLY	3
7. EXPLODED VIEW OF MECHANICAL PARTS, MODEL 1600	4
8. EXPLODED VIEW OF MECHANICAL PARTS, MODEL 1800	6
9. ELECTRIC RELAY BOX, MODEL 1600	8
10. ELECTRIC RELAY BOX, MODEL 1800	9
11. WIRING DIAGRAM - 208/240V 3-PHASE 60 Hz	10
12. WIRING DIAGRAM - 220/380V 3-PHASE - 4-WIRE - 50 Hz	11
13. WIRING DIAGRAM - 480V A.C. 3-PHASE 60 Hz	12
14. TROUBLE SHOOTING GUIDE	13
15. CABINET BASE - 36"	14
16. CABINET BASE - 48"	15

Limit
08-6383

Market Forge

5219A

Printed in U.S.A.

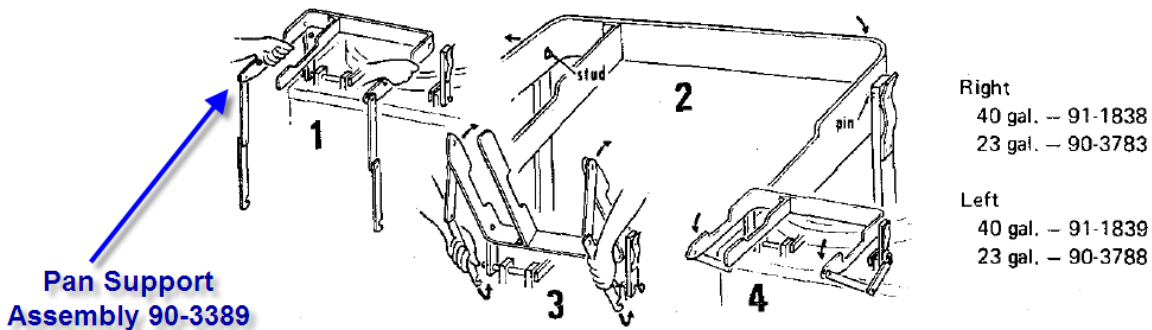
Everett Ma. 02149
Area Code 617 387-4100
Facsimile # 617-387-4456

**OPERATING INSTRUCTIONS
MODEL 1600 & 1800 TILTING SKILLET (ELECTRIC)**

1. Turn circuit breaker switch inside left hand door to on (up).
2. Be sure skillet is in full down position. Set the thermostat at the desired temperature.
3. To assure even heating temperatures, allow the skillet to cycle once for approximately 30 minutes before adding food.
4. Add food. Set the timer for the desired cooking period.
5. Place the pan support in position (see separate instructions). Place pan on support. Insert handle and crank clockwise to tilt skillet to desired position for removal of food.

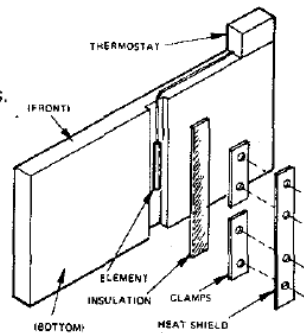
INSTALLING THE TILT SKILLET PAN SUPPORT

1. With both hands hold pan support in front of the upright supports. The cutouts on each side must be facing upward and the jointed links must be allowed to fall free. (see diagram)
2. Place the stud which is located on the left-hand upright support into the hole in the left-hand side of the pan support. After engaging the left-hand side push the right-hand side in until spring loaded pin on the right-hand support engages hold in pan support. (see diagram)
3. Rotate the pan support up to a near vertical position. Shift both hands to the lowermost links and simultaneously engage their slotted ends to the studs at the base of each upright support. (see diagram)
4. Allow the pan support to drop back to a horizontal position where it will automatically lock. When removing the pan support, reverse the sequence of installation.



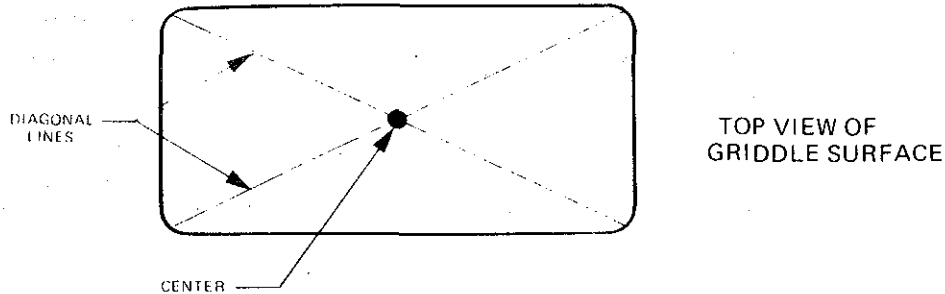
HOW TO REPLACE THERMOSTAT (ELECTRIC)

1. Tip skillet pan to 45° angle. Remove control box cover.
2. Remove bottom cover and raceway.
3. Remove nuts between heat shields. Remove both clamp plates.
4. Remove nuts from two bolts under control box. Remove sealing strip from control box.
5. Remove dial knob from control box. Detach wires. Remove two screws on face of control panel. Slide thermostat out. Remove thermostat probe from bottom of skillet.
6. Replace thermostat and probe and reverse the procedure.



CALIBRATION OF THERMOSTAT

1. Be sure the pan is empty and clean before calibrating.
2. Locate the center of the pan by marking diagonal lines on griddle surface.



3. Place thermometer, *kit part no. 10-6328, at the intersection of diagonal lines.
Check that magnets on thermometer extend through holes in circular base plate and are in complete contact with griddle surface.



4. Set thermostat at 350°F and remove the knob to allow access to calibrating screw in the center of shaft.
5. Observe the thermometer as skillet heats up. When thermometer indicates 340°F, turn calibrating screw clockwise or counter-clockwise, as required, until pilot light adjacent to thermostat goes out. (A clockwise adjustment will lower the set point. A counter clockwise adjustment will raise the set point).

*Available from Market Forge.

HOW TO REMOVE ELEMENTS

(Optional steps 1-5 to remove pan.)

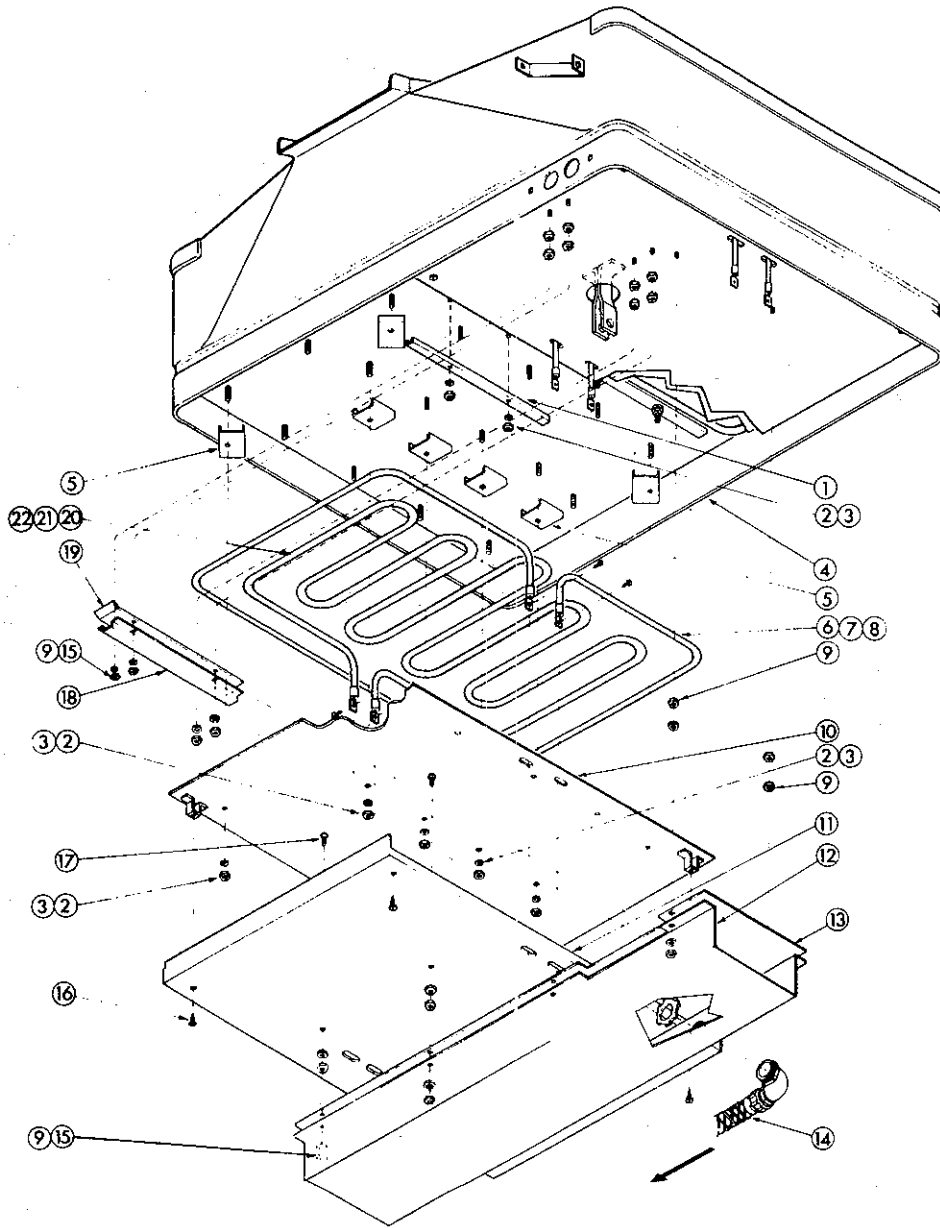
1. Tilt skillet pan to a 45° angle and remove the counterbalance spring at rear.
2. Remove element wires from control box in front.
3. Support skillet pan at 45° angle. Remove roll pin from under skillet using a drive pin and hammer.
4. Set skillet pan level. Loosen bolts underneath counter top. Remove hinge blocks from front.
5. Tip skillet pan upside down. Pan is quite heavy (23 gal.-145 lbs., 40 gal.-210 lbs.) and may require two men.
6. Remove bottom cover, and both heat shields. When bottom cover is removed terminals are exposed. Remove wiring.
7. Remove bottom clamp plates. These are held by 36 nuts on studs on the 23 gallon skillet, 46 nuts on studs on 40 gallon skillet with lock washers.
8. Elements are now exposed. Remove spacers between elements and mark their location.
9. Replace the defective element and reverse the procedure.
10. **Important:** In replacing the elements, clamp plates are torqued to 4 torque foot pounds. Use a torque wrench of 0-15 lbs. or less.

Screw in Round element
208V 21KW 10-5223

flat flange bolt element
208V 12KW 08-6415

Temp probe 08-6305

S.S. board (Tiltat)
91-9834 or 08-6356
Robert Shaw Quantum



TILT PAN ASSEMBLY - ELECTRIC

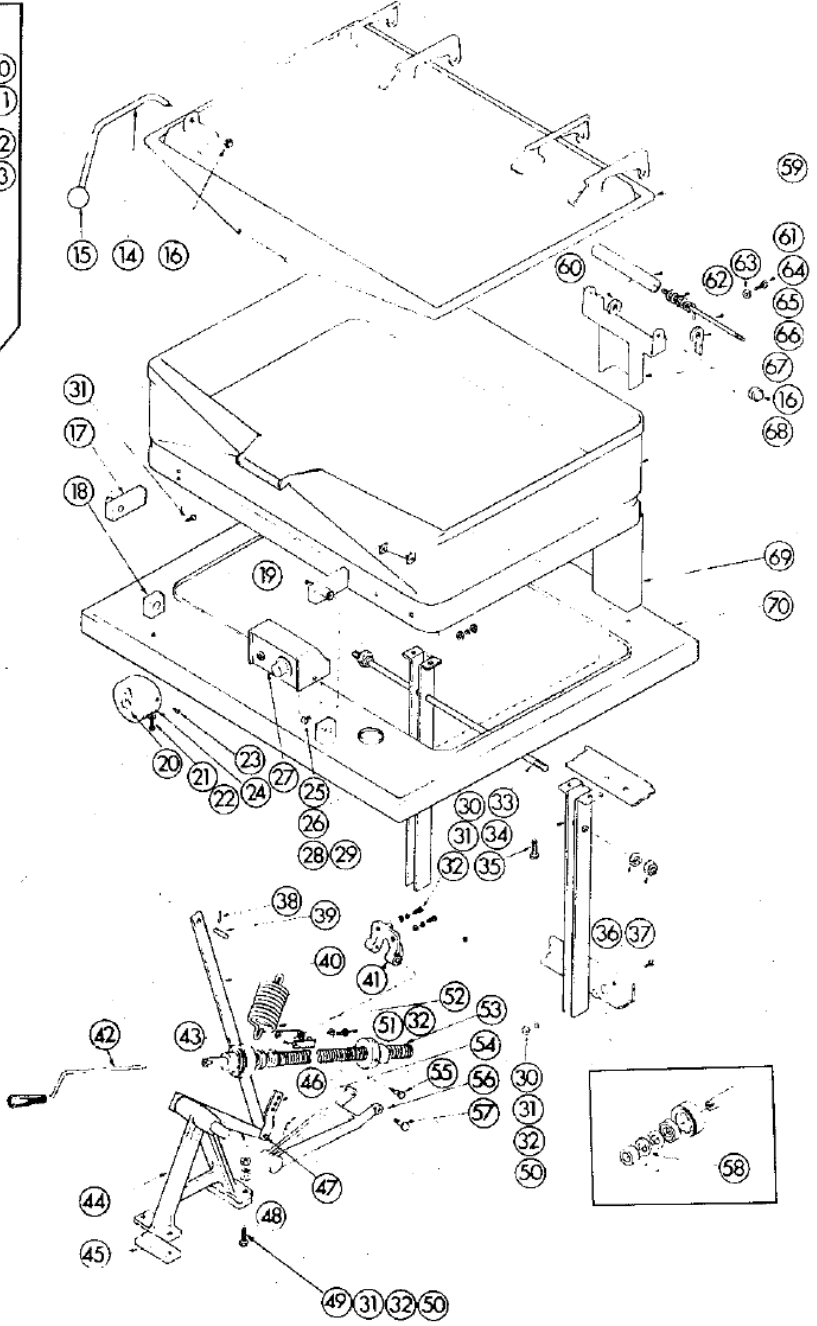
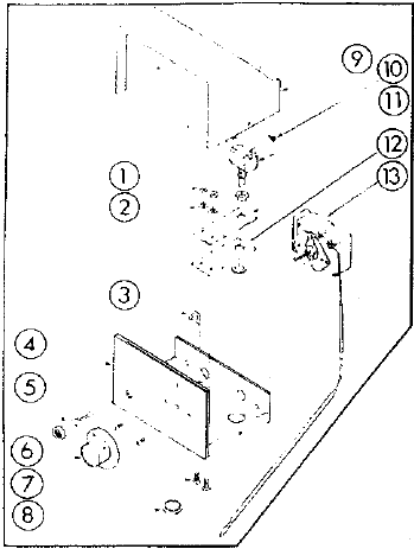
PARTS LIST

ITEM	MODEL 1600		DESCRIPTION
	PART NO.	PART NO.	
1	91-1530	91-1530	Clamp - Therm. Bulb
2	10-2336	10-2336	Hex Nut 1/4 - 20"
3	10-2508	10-2508	Lockwasher 1/4"
4	91-1581	91-1726	Tilting Skillet - Sub Pan Ass'y
5	91-1548	91-1548	Spacer - Htg. Elem.
6	10-6260	10-6864	Htg. Elem. - Outer 208V
7	10-6493	10-6865	Htg. Elem. - Outer 240V
8	10-6278	10-6866	Htg. Elem. - Outer 480V
9	10-2330	10-2330	Hex Nut #8 - 32"
10	91-1510	91-1770	Clamp Plate Assembly Right
	91-1510	91-1772	Clamp Plate Assembly Left
11	91-1507	91-1769	Shield - Htg. Elem. L. & R. H.
12	91-1505	91-1764	Cover - Htg. Elem. Wires
13	91-1605	91-1765	Heat Deflector Assembly
14	91-1679	91-1679	Assembly - Sealite Conduit 3/4"
15	10-2518	10-2518	Lockwasher #8"
16	10-1779	10-1779	Slotted Hex Hd. Type A = 10 x 1 1/2 Lg.
17	10-1747	10-1747	Rd. Hd. Mach. Screw #8 32 x 5/8 Lg."
18	91-1534	91-1534	Raceway - Control Wires
19	91-1603	91-1603	Heat Deflector - Raceway
20	10-6296	10-6861	Htg. Elem. - Inner 208V
21	10-6297	10-6862	Htg. Elem. - Inner 240V
22	10-6277	10-6863	Htg. Elem. - Inner 480V

*These parts should be purchased locally.

flat style elements
208V 08-6374
240 08-6375
480 08-6374

S# 158089
and after
use flat
elements



EXPLODED VIEW OF MECHANICAL ASSEMBLY - ELECTRIC - MODEL 1600

Temp Controller

**Robertshaw is repl by kit # 91-9847
Quantem is # 08-6356**

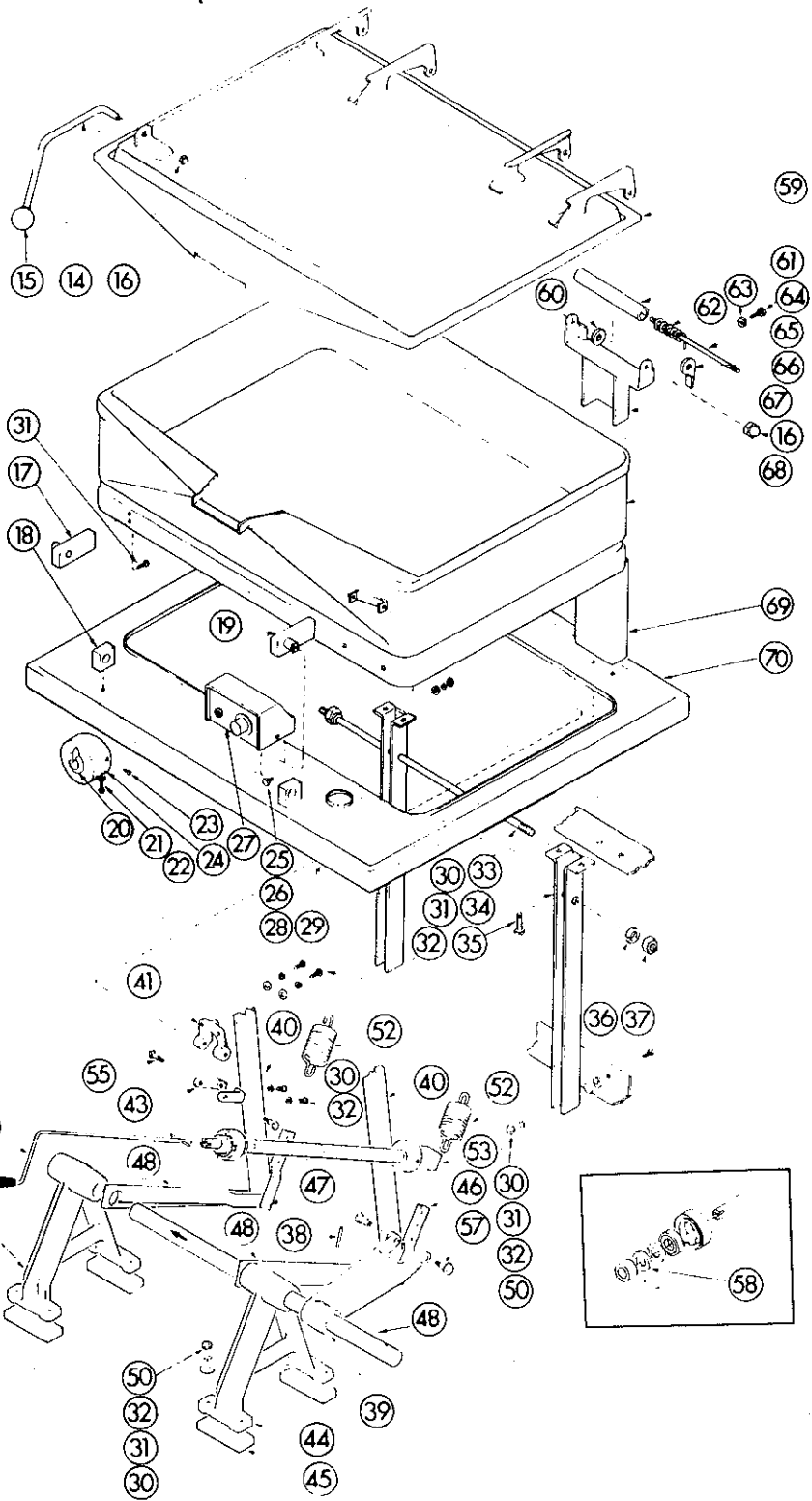
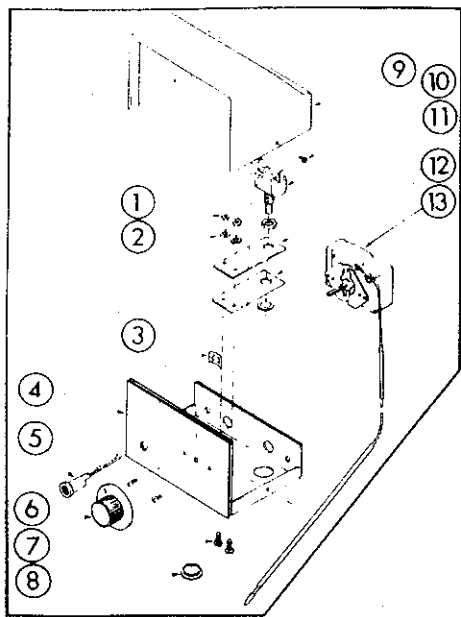
Timer Knob # 10-0051

High Limit Thermostat is # 08-6383

PARTS LIST

ITEM	PARTS NO.	DESCRIPTION	ITEM	PART NO.	DESCRIPTION
1	10-2330	Hex Nut #8 - 32"	44	90-8754	A Frame Casting
2	10-2518	Lockwasher #8"	45	91-1550	Filling In Piece A Frame
3	10-2541	Push On Speed Nut - Tinneman	46	91-1518	Assembly - Ctrbal. Spring Link
4	91-1626	Control Box - Frt. Bott. & Supp	47	91-1547	Pivot Pin - Lift Lever
5	10-5016	Signal Light - Red	48	91-1542	Lift Lever Assembly
6	10-6307	Control Knob	49	10-2117	Hex Hd. Cap Screw 5/16 18 x 2 1/4 Lg *
7	10-1717	Rd. Hd. Mach. Screw #8 32 x 3/8 Lg *	50	10-2307	Hex Nut 5/16 - 18 *
8	10-4261	Plug Button 7/8	51	10-2089	1/4 x 20 Hex Head Cap Screw *
9	91-1625	Control Box - Top & Sides	52	10-2746	Extension Spring
10	10-1845	Rd. Hd. Type "F" #8 32 x 1/4 Lg. Ground Wire	53	91-1682	Assembly - Saginaw Screw
11	10-5069 10-6859	Cut Off Micr. Switch	54	10-1946	Roll Pin
12	91-1674	Mounting Strap - Cut off Sw.	55	90-8731	Shoulder Screw
13	10-6276	Thermostat	56	90-8755	Sag. Screw Lever
14	91-1523	Cover Handle	57	90-8710	Special Bolt 1/2 - 13
15	10-0060	Plastic Knob	58	10-0069	Friction Disc
16	10-2355	Acorn Nut Ni. Pl. 3/8 - 16"	59	91-1512	Cover Assembly
17	91-1536	Frnt. Hinge Assembly - L. H.	60	10-2448	Nylon Washer
18	90-3490	Post - Skillet Hinge	61	90-3040	Cover
19	91-1537	Frnt. Hinge Assembly - R. H.	62	10-2747	Torsion Spring
20	90-4417	Timer Assembly - 60 Min. <i>with knob</i>	63	10-2336	Hex Nut 1/4 - 20 *
21	10-2050	Hex Hd. Cap Screw 3/8 16 x 7/8 Lg. *	64	10-1814	Hex Hd. Cap Screw 1/4 * 20 x 3/4 Lg.
22	10-2503	Lockwasher 3/8 *	65	90-3042	Retaining Rod
23	10-1735	Phil. Rd. Hd. Screw Type "A" #8 x 3/8 Lg. *	66	91-1565	Lever Spring Tension
24	90-4414	Timer Casing Assembly	67	91-1513	Hinge Support Assembly
25	10-2073	Hex Hd. Cap Screw 1/4 20 x 1/2" Lg. *	68	91-1580	Tilting Skillet - Pan Sub Assembly
26	10-2400	Plain Washer 1/4 *	69	91-1539	Hinge Post Assembly
27	10-6247	Name Plate	70	91-1502	Cabinet Top
28	10-2500	Lockwasher 1/4 *	71	10-1836	Rd. Hd. Mach. Screw #8 32 x 1/2 Lg. *
29	10-2308	Hex Nut 1/4 - 20 *	72	10-2521	Lockwasher #8 *
30	10-2042	Hex Hd. Cap Screw 5/16 18 x 1" Lg. *	73	10-2332	Hex Nut #8 - 32 *
31	10-2405	Plain Washer 5/16 *	74	10-2408	Plain Washer #8 *
32	10-2511	Lockwasher 5/16 *	75	91-1515	Assembly - Relay Box
33	91-1558	Spring Support Rod	76	10-1726	Rd. Hd. Mach. Screw #10 32 x 5/8 Lg. *
34	91-1585	Rear Stiffening Channel	77	10-2431	Plain Washer #10 *
35	10-1784	Rd. Hd. Mach. Screw 1/4 20 x 1-1/4 Lg. *	78	10-2340	Hex Nut #10 - 32 *
36	10-2501	Lockwasher	79	10-2505	Lockwasher #10 *
37	10-2300	Hex Nut 1/2 - 13 *	80	91-1606	Support Bracket
38	10-1678	Drive Pin	81	10-1832	Rd. Hd. Mach. Screw #8 * 32 x 1/2 Ni. Pl.
39	91-1552	Pivot Pin - Lift Lever	82	10-2378	Hex Nut #8 - 32 Ni. Pl. *
40	91-1595	Connecting Link - Gas	83	10-5396	Hevi-Duty Transformer
41	90-8757	Housing - Sag Screw	84	10-1837	Rd. Hd. Mach. Screw #10 * 32 x 3/4 Ni. Pl.
42	90-4037	Crank Assembly	85	10-2375	Hex Nut #10 - 32 Ni. Pl. *
43	90-8732	Brake Bracket	86	10-2509	Lockwasher #10 *
			87	A-91-1695	Support Plate - Transformer

*These parts should be purchased locally.

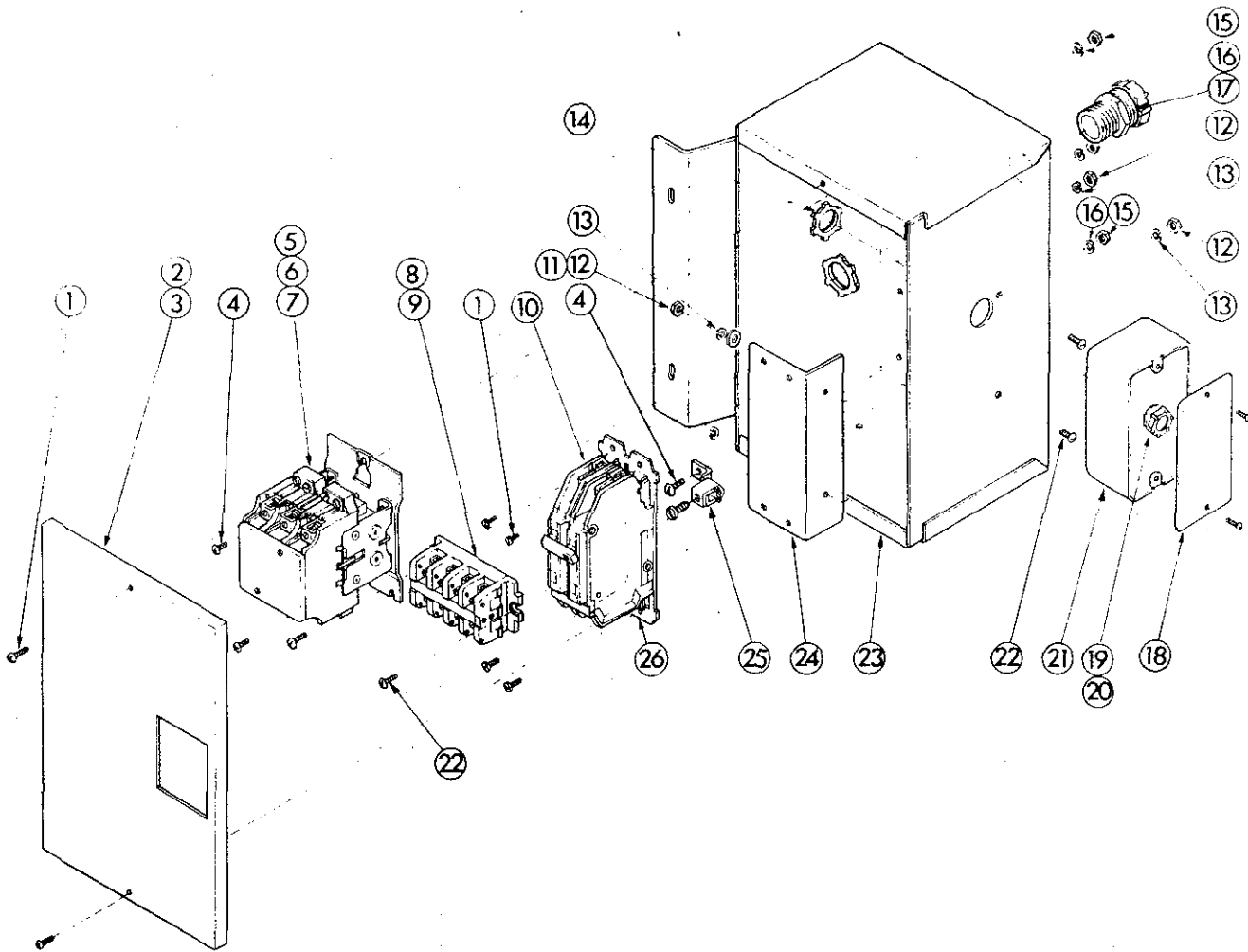


EXPLODED VIEW OF MECHANICAL ASSEMBLY - ELECTRIC - MODEL 1800

PARTS LIST

ITEM	PARTS NO.	DESCRIPTION	ITEM	PART NO.	DESCRIPTION
1	10-2330	Hex Nut #8 - 32*	44	90-8754	A Frame Casting
2	10-2518	Lockwasher #8*	45	91-1550	Filling-In Piece A Frame
3	10-2541	Push On Speed Nut - Tinneman	46	91-1518	Assembly - Ctrbal. Spring Link
4	91-1626	Control Box - Frt. Bott. & Supp.	47	91-1547	Pivot Pin - Lift Lever
5	10-5016	Signal Light - Red	48	91-1736	Lift Lever Assembly
6	10-6307	Control Knob	49	90-4037	Crank Assembly - Saginaw Screw
7	10-1717	Rd. Hd. Mach. Screw #8 32 x 3/8 Lg.*	50	10-2307	Hex Nut 5/16 - 18*
8	10-4261	Plug Button 7/8	51		
9	91-1625	Control Box - Top & Sides	52	10-2746	Extension Spring
10	10-1845	Rd. Hd. Type "F" #8	53	91-1682	Assembly - Saginaw Screw
	10-6859	32 x 1/4 Lg. Ground Wire	54	10-1683	Roll Pin
11	10-5869	Cut Off Micr. Switch	55	90-8731	Shoulder Screw
12	91-1674	Mounting Strap - Cut Off Sw.	56		
13	10-6276	Thermostat	57	90-8710	Special Bolt 1/2 - 13
14	91-1523	Cover Handle	58	10-0069	Friction Disc
15	10-0060	Plastic Knob	59	91-1728	Cover Assembly
16	10-2355	Acorn Nut NI. Pl. 3/8 - 16*	60	10-2448	Nylon Washer
17	91-1536	Frt. Hinge Assembly - L. H.	61	91-1729	Cover
18	90-3490	Post - Skillet Hinge	62	10-2747	Torsion Spring
19	91-1537	Frt. Hinge Assembly - R. H.	63	10-2308	Hex Nut 1/4 - 20*
20	90-4417	Timer Assembly - 60 Min.	64	10-1814	Hex Hd. Cap Screw 1/4 * 20 x 3/4 Lg.
21	10-2050	Hex Hd. Cap Screw 3/8 16 x 7/8 Lg.*	65	90-3042	Retaining Rod
22	10-2503	Lockwasher 3/8*	66	91-1565	Lever - Spring Tension
23	10-1735	Phil. Rd. Hd. Screw Type "A" #8 x 3/8 Lg.*	67	91-1513	Hinge Support Assembly
24	90-4414	Timer Casing Assembly	68	91-1722	Tilting Skillet- Pan Sub Assembly
25	10-2073	Hex Hd. Cap Screw 1/4 20 x 1/2" Lg.*	69	91-1731	Hinge Post Assembly
26	10-2400	Plain Washer 1/4*	70	91-1502	Cabinet Top
27	10-6247	Name Plate	71	10-1836	Rd. Hd. Mach. Screw #8 32 x 1/2 Lg.*
28	10-2500	Lockwasher 1/4*	72	10-2521	Lockwasher #8*
29	10-2308	Hex Nut 1/4 - 20*	73	10-2332	Hex Nut #8 - 32*
30	10-2042	Hex Hd. Cap Screw 5/16 18 x 1" Lg.*	74	10-2408	Plain Washer #8*
31	10-2405	Plain Washer 5/16*	75	91-1515	Assembly - Relay Box
32	10-2511	Lockwasher 5/16*	76	10-1726	Rd. Hd. Mach. Screw #10 32 x 5/8 Lg.*
33	91-1740	Spring Support Rod	77	10-2431	Plain Washer #10*
34	91-1585	Rear Stiffening Channel	78	10-2340	Hex Nut #10 - 32*
35	10-1784	Rd. Hd. Mach. Screw 1/4 20 x 1-1/4 Lg.*	79	10-2505	Lockwasher #10*
36	10-2501	Lockwasher	80	91-1606	Support Bracket
37	10-2300	Hex Nut 1/2 - 13*	81	10-1832	Rd. Hd. Mach. Screw #8* 32 x 1/2 NI. Pl.
38	10-2610	Driv-Lok Hi-Alloy Shear Proof Pin 3/8D x 2Lg. Type A,	82	10-2378	Hex Nut #8 - 32 NI. Pl.*
		Saginaw Screw Lever	83	10-5396	Hevi-Duty Transformer
39	90-8755	Connecting Link - Gas	84	10-1837	Rd. Hd. Mach. Screw #10* 32 x 3/4 NI. Pl.
40	91-1595	Housing - Sag Screw	85	10-2375	Hex Nut #10 - 32 NI. Pl.*
41	90-8757	Lockwasher 3/8*	86	10-2509	Lockwasher #10*
42	10-2503	Brake Bracket	87	A-91-1695	Support Plate - Transformer

*These parts should be purchased locally.

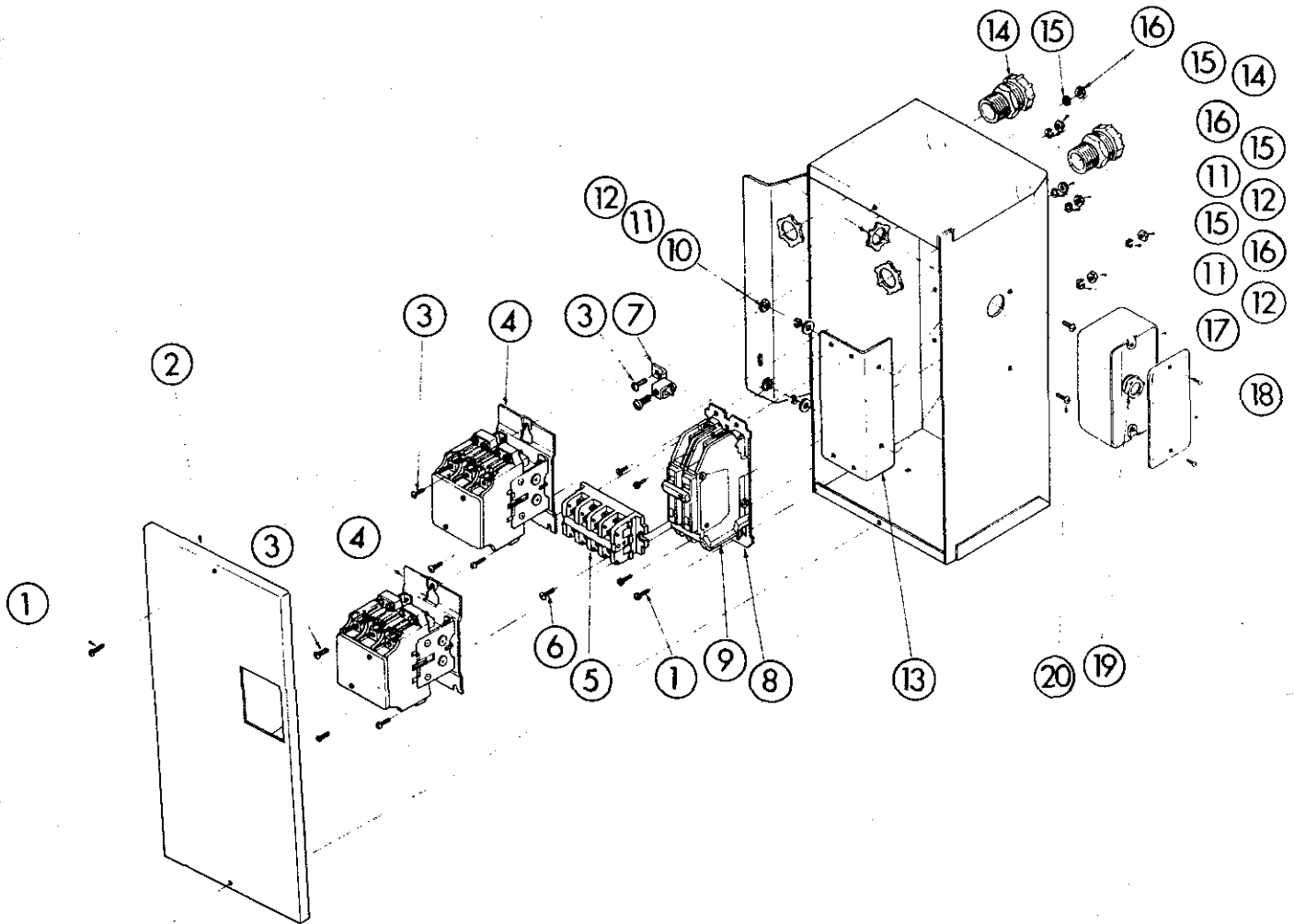


ELECTRIC RELAY BOX - MODEL 1600

PARTS LIST

ITEM	PART NO.	DESCRIPTION	ITEM	PART NO.	DESCRIPTION
1	10-1845	Rd. Hd. Type "F" #8 32 x 1/4 Lg. Ground Wire	12	10-2332	Hex Nut #8 - 32*
2	91-1556	Cover 208/230V x 240V	13	10-2521	Lockwasher #8*
3	91-1607	Cover 480V	14	10-5020	Conduit Bushing 1/2*
4	10-1759	Rd. Hd. Mach. Screw #10 32 x 3/8 Lg.	15	10-2340	Hex Nut #10 - 32*
5	10-5944	Contactor 40 Amp 110V For 480V Electric	16	10-2505	Lockwasher #10*
6	10-5476	Contactor 40 Amp 240V/415V Coil 10-5471	17	10-6295	Strain Relief Grip-Str. 3/4 Male
7	10-5476	Contactor 40 Amp 208V/230V Coil 10-5470	18	10-5164	Handy Box Cover
8	10-5069	Term. Blk.	19	10-5243	Conduit Chase Nipple 1/2
9	10-5070	Term. Blk. End	20	10-2652	Fiber Washer 1/2
10	10-6280	Circuit Brkr.	21	10-5163	Handy Box
11	10-2408	Plain Washer #*8	22	10-1836	Rd. Hd. Mach. Screw #8 32 x 1/2 Lg.
			23	91-1515	Assembly - Relay Box
			24	91-1604	Support Bracket - Circuit Breaker
			25	10-5220	Connector - Ground
			26	10-6494	Circuit Brkr. Mtg. Plates

*This can be purchased locally.



ELECTRIC RELAY BOX - MODEL 1800

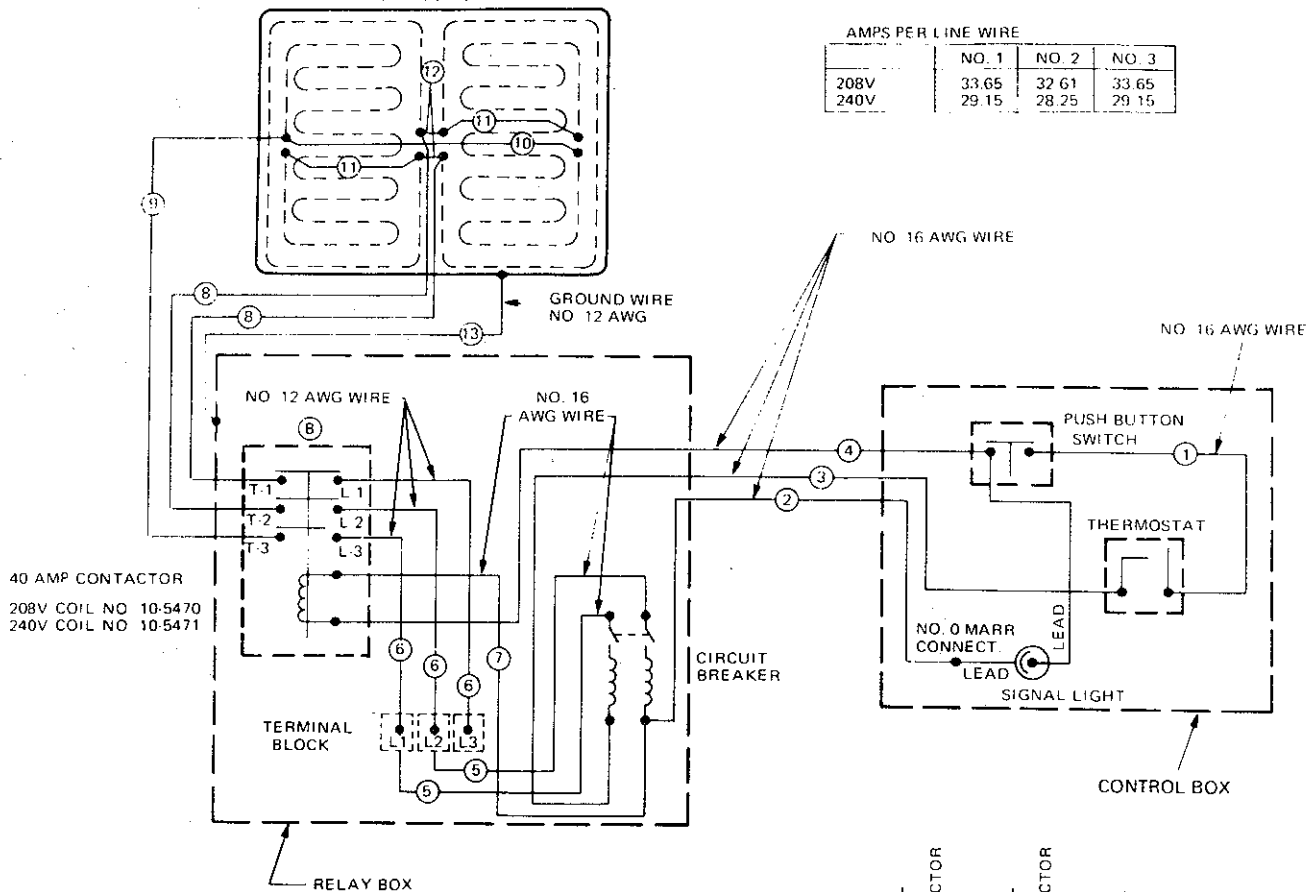
PARTS LIST

ITEM	PART NO.	DESCRIPTION	ITEM	PART NO.	DESCRIPTION
1	10-1845	Rd. Hd. Type "F" #8 32 x 1/4 Lg. Ground Wire	8	10-6494	Circuit Brkr. Mtg. Plates
2	91-1844	Cover 208/230V and 240V	9	10-6280	Circuit Brkr.
	91-1845	Cover 480V	10	10-2408	Plain Washer #8*
3	10-1759	Rd. Hd. Mach. Screw #10 32 x 3/8 Lg.	11	10-2332	Hex Nut #8 - 32*
4	10-5476	Contactors 40 Amp 208V	12	10-2521	Lockwasher #8*
	10-5943	Contactors 40 Amp 240V	13	91-1604	Support Bracket - Circuit Brkr.
	10-5944	Contactors 40 Amp 110V	14	10-6295	Strain Relief Grip - Str. 3/4 Male
5	10-5069	Term. Blk.	15	10-2505	Lockwasher #10*
	10-5070	Term. Blk. End	16	10-2340	Hex Nut #10 - 32*
6	10-1836	Rd. Hd. Mach. Screw #8 32 x 1/2 Lg.	17	10-5163	Handy Box
7	10-5220	Connector - Ground	18	10-5164	Handy Box Cover
			19	10-5243	Conduit Chase Nipple 1/2
				10-2652	Fiber Washer 1/2
			20	10-1836	Rd. Hd. Mach. Screw #8 32 x 1/2 Lg.

* This can be purchased locally.

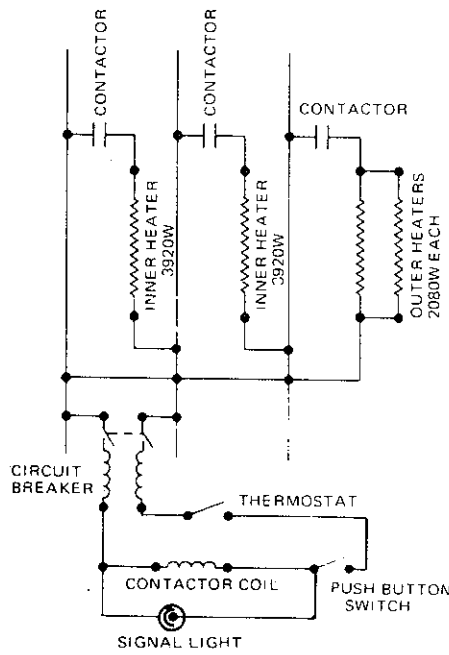
TILTING SKILLET

AMPS PER LINE WIRE			
	NO. 1	NO. 2	NO. 3
208V	33.65	32.61	33.65
240V	29.15	28.25	29.15



40 AMP CONTACTOR
 208V COIL NO. 10-5470
 240V COIL NO. 10-5471

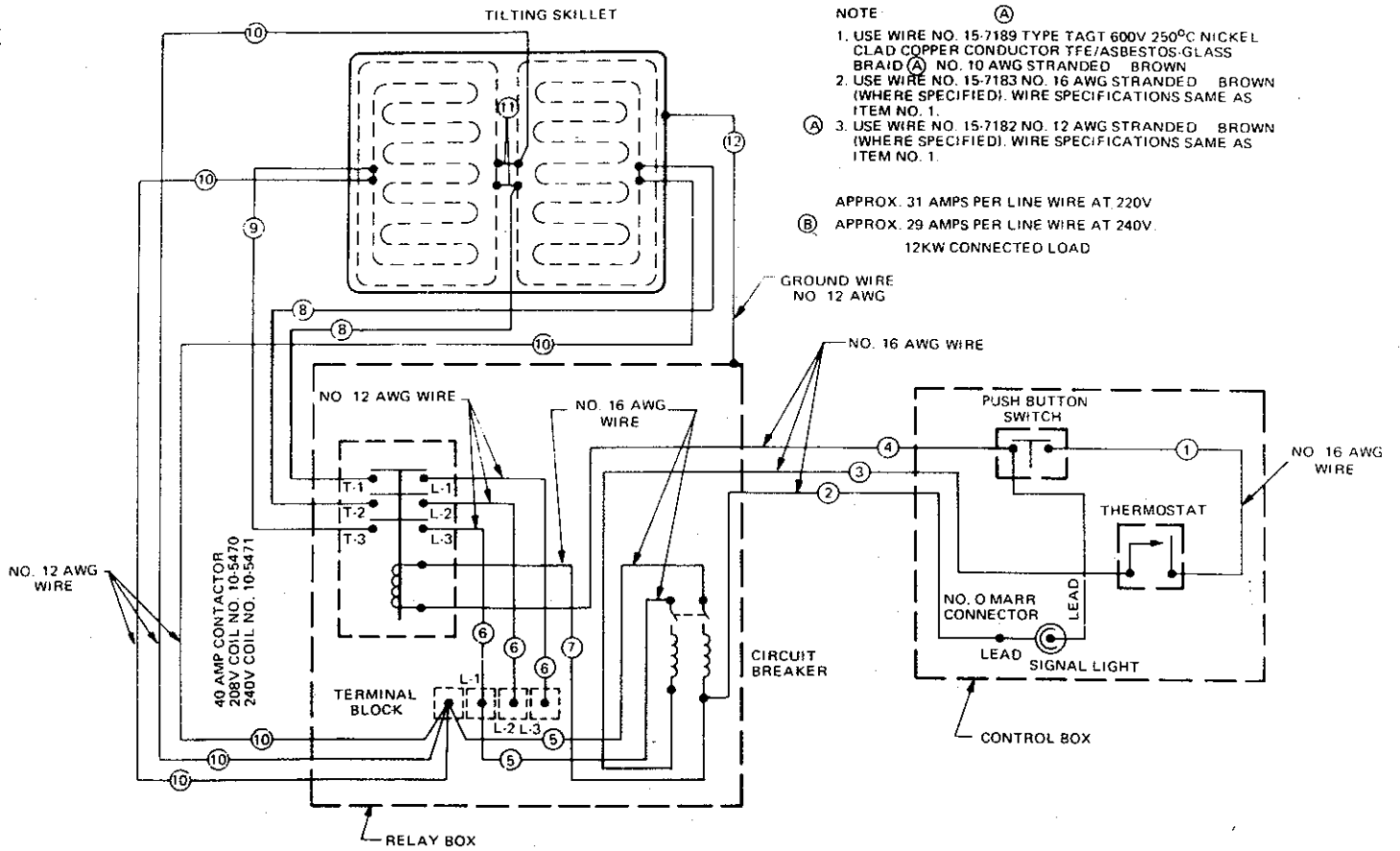
- NOTE:
1. USE WIRE NO. 15-7189 TYPE TAGT 600V 250°C NICKEL CLAD COPPER CONDUCTOR TFE/ASBESTOS - GLASS BRAID (C) NO. 10 AWG STRANDED - BROWN
 2. USE WIRE NO. 15-7183 NO. 16 AWG STRANDED - BROWN (WHERE SPECIFIED) WIRE SPECIFICATIONS SAME AS ITEM NO. 1.
 3. USE WIRE NO. 15-7182, NO. 12 AWG STRANDED - BROWN (WHERE SPECIFIED). WIRE SPECIFICATIONS SAME AS ITEM NO. 1.



208/240V A.C. 3-PHASE 60HZ 3 WIRE
 12KW CONNECTED LOAD

208-240V A.C. 3-PHASE 60 HZ SUPPLY
 SCHEMATIC

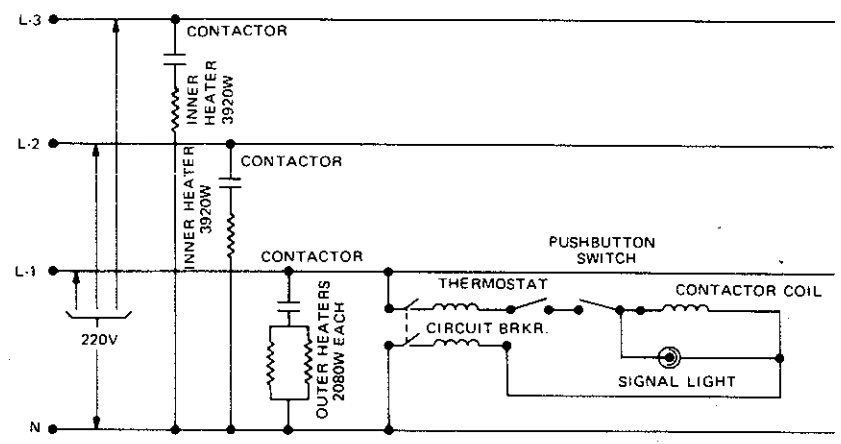
WIRING DIAGRAM - 208/240 VOLTS A. C. 3-PHASE 60 Hz - TILTING SKILLET - ELECT.



- NOTE
- (A) 1. USE WIRE NO. 15-7189 TYPE TAGT 600V 250°C NICKEL CLAD COPPER CONDUCTOR TFE/ASBESTOS-GLASS BRAID (A) NO. 10 AWG STRANDED BROWN
 - 2. USE WIRE NO. 15-7183 NO. 16 AWG STRANDED BROWN (WHERE SPECIFIED). WIRE SPECIFICATIONS SAME AS ITEM NO. 1.
 - (A) 3. USE WIRE NO. 15-7182 NO. 12 AWG STRANDED BROWN (WHERE SPECIFIED). WIRE SPECIFICATIONS SAME AS ITEM NO. 1.

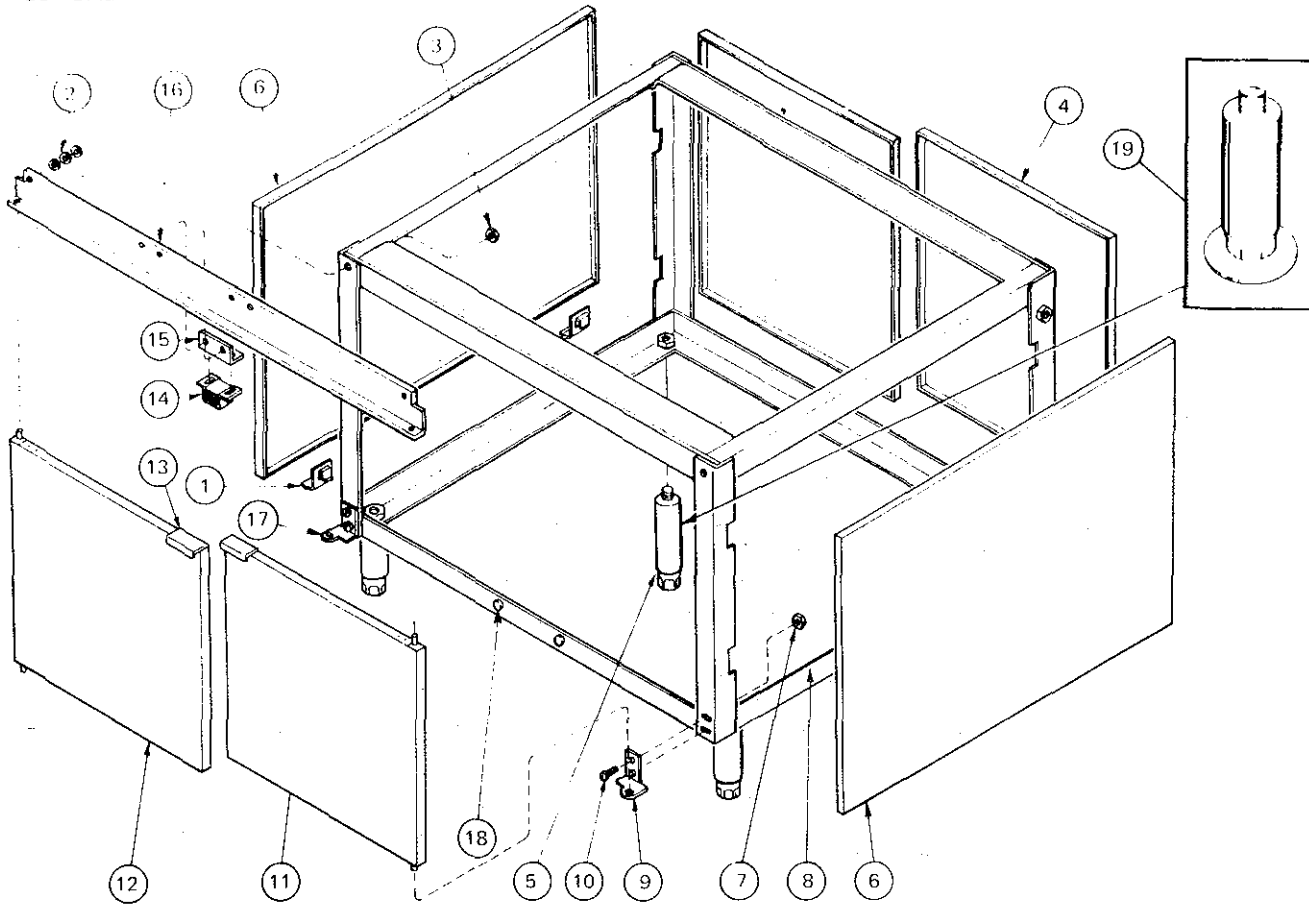
APPROX. 31 AMPS PER LINE WIRE AT 220V
 (B) APPROX. 29 AMPS PER LINE WIRE AT 240V.
 12KW CONNECTED LOAD

- (B)
- 1. USE 240V. HEATING ELEMENTS
 - 2. USE 240V. COIL ON CONTACTOR
 - 3. FOR "SINGLE PHASE"
 - (1) TIE L1, L2 & L3 TOGETHER & CONNECT TO ONE SIDE OF INCOMING POWER.
 - (2) CONNECT BOTH "N" WIRES TO OTHER SIDE OF INCOMING POWER.



WIRING DIAGRAM 220/380 VOLTS AC 3-PHASE 4-WIRE 50 Hz - TILTING SKILLET - ELECT.

36" CABINET



CABINET BASE

ITEM NO.	PART NO.	DESCRIPTION	ITEM NO.	PART NO.	DESCRIPTION
1	90-2663	Panel MTG Bracket	11	10-2422	Washer
2	10-2511	Washer	12	90-9062	Door Ass'y. St. Steel
3	10-2147	Hex. Nut	13	90-9057	Door Handle
4	90-2657	Rear Panel St. Steel	14	10-5561	Magnetic Latch
5	10-0631	Leg	15	90-3210	Bracket Magnetic Latch
6	90-2661	Side Panels R. & L. St. Steel	16	10-0494	Feature Strip
	90-2662	Side Panel St. Steel (Gas Model)	17	10-0453	Cabinet Hinge Left Bottom
7	90-3185*	Double Washer	18	10-0257	Stem Bumper
8	90-9023	Ass'y. - 36" x 33" Modular Frame	19	10-0636	Leg with Flange (Only on Tilting Skillet)
9	10-0454	Cabinet Hinge R. Bottom			
10	10-1869	No. 6-32 x 1/2" Round Head Machine Screw			

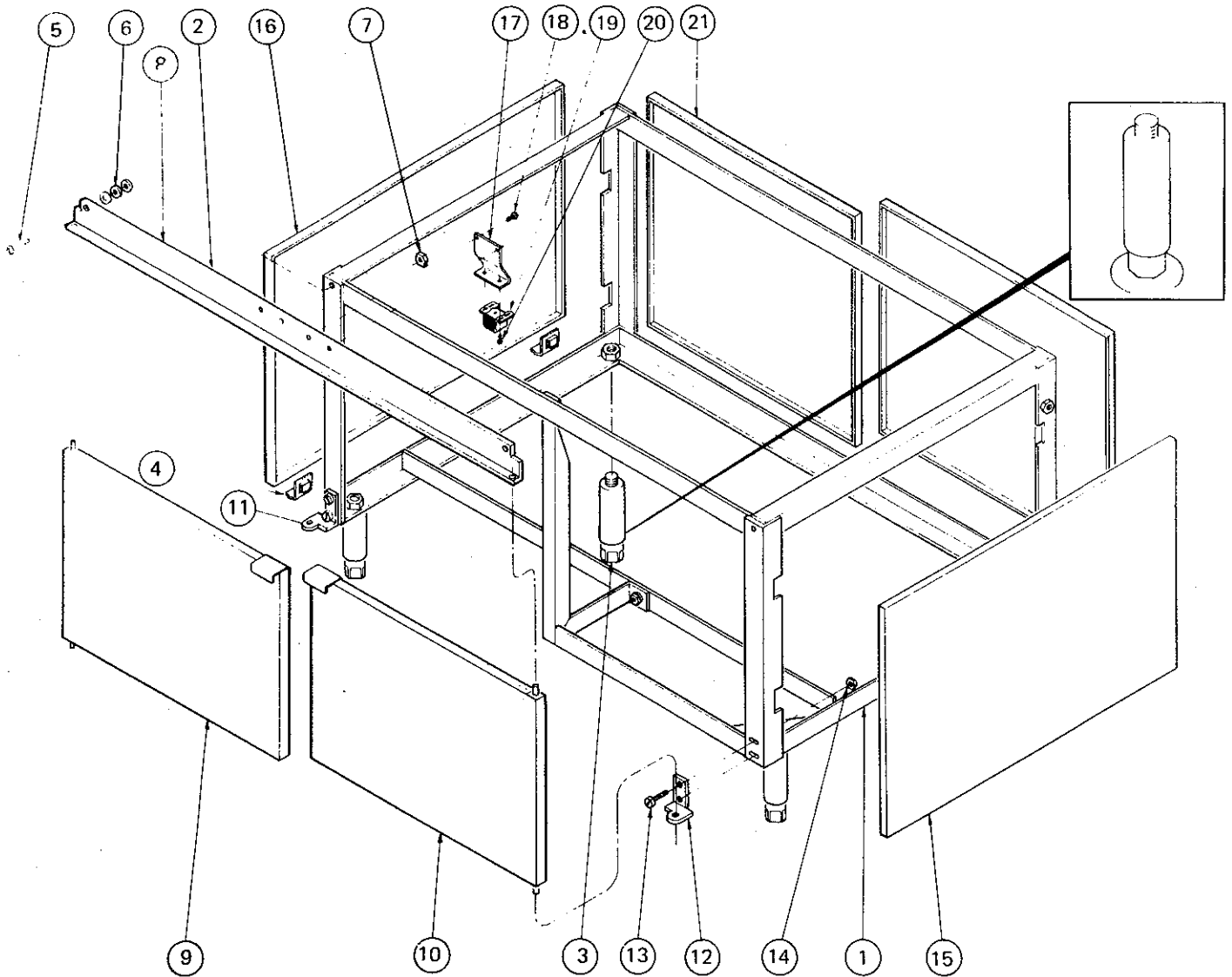
91-5475

Note: Items marked with an asterisk (*) can be purchased locally.

**TROUBLE SHOOTING GUIDE
ELECTRIC**

Problem	Cause	Remedy
Uneven heating	Open heating element Uneven torquing of clamp plates which hold elements Thermostat out of calibration or defective	Replace element Retourque bottom of skillet Calibrate or replace
Signal light out	Burnt out bulb Broken thermostat Circuit breaker out Loose electrical connection	Replace Replace Reset or replace Repair
Unit fails to heat	Malfunction of interlock switch Contactor doesn't pull in	Replace Replace coil in contactor Check thermostat

48" Cabinet



CABINET BASE

ITEM NO.	PART NO.	DESCRIPTION	ITEM NO.	PART NO.	DESCRIPTION
1	91-1784	Frame Ass'y	12	10-0454	Hinge R.H.
2	91-1872	Feature Strip Tilt Skillet	13	10-1869	Flat Hd. Screw
3	10-0636	Hold Down Feet	14	10-2545	Nut
4	90-2663	Panel Clips	15	90-2661	Side Panels
5	10-2147	Screws	16	90-2661	Side Panels
6	10-2405	Washers	17	91-2013	Bracket for Magnetic Catch
7	10-2307	Hex Nut	18	10-1722	Rd. Hd. Screw
8	91-1968	Feature Strip 60 Gal. Kettle	19	10-5561	Magna-Tite
9	90-2993	Door Ass'y. L.H.	20	10-1722	Mach. Scr. Rd. Hd.
10	90-3154	Door Ass'y. R.H.	21	90-2657	Rear Panel
11	10-0453	Hinge L.H.			