

**Only from NEMCO!**

# EASY JUICER™

*Specially designed for commercial  
foodservice use, the Easy Juicer™ is easy  
to use and features rugged construction.*

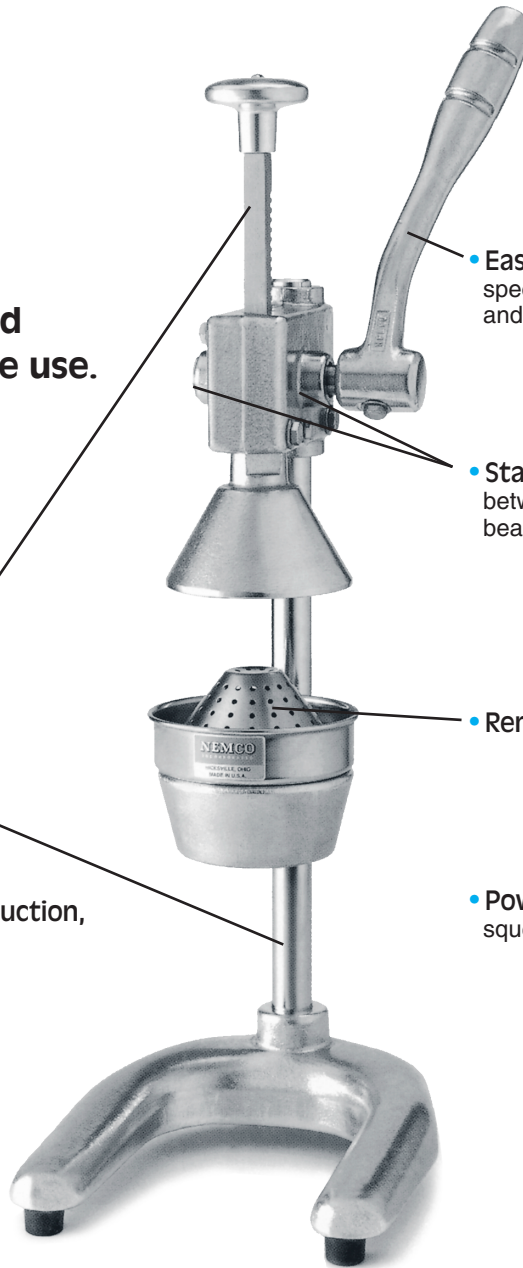


# EASY JUICER™

The Easy Juicer™ is designed for commercial foodservice use.

### Unique features include:

- Stainless steel rack and pinion to prevent tooth chipping.
- Solid, high strength steel post for rigidity.
- Aluminium and stainless steel construction, all stainless steel fasteners.
- Easy to grip ergonomic handle is specially designed to minimize fatigue and increase leverage.
- Stainless steel pinion is supported between two, self-lubricating bronze bearings.
- Removable strainer and funnel
- Powerful: 20:1 mechanical advantage squeezes out every ounce of juice.



### Built to last:

Like all Nemco products, the Easy Juicer™ is designed, engineered and built for years of reliable service. Sturdy construction holds up to the toughest day-in, day-out use.

### NSF listed:



The Easy Juicer's National Sanitation Foundation Listing assures foodservice operators that the equipment is manufactured in compliance with the sanitation standards established by the NSF. These standards are both locally and internationally recognized.

### Specifications:

- Height:..... 19"
- Width:..... 7-1/2"
- Depth:..... 9"
- Shipping weight:..... 12 lbs.

Replacement parts are available quickly through our NEMCO 24-hour Zip Program.

Nemco reserves the right to make changes without notice in designs, specifications and models.

*"Fresh Ideas In Quality Food Equipment"*



NEMCO Food Equipment, Ltd.  
 301 Meuse Argonne  
 P.O. Box 305  
 Hicksville, OH 43526  
 (800) 782-6761  
 Phone (419) 542-7751  
 FAX (419) 542-6690  
[www.nemcofoodequip.com](http://www.nemcofoodequip.com)

