

Refrigerated Self-Service Case



MODEL SHOWN: CO3660R

- CO3660R 36 1/4"L x 33 1/4"D x 63 1/8"H
- CO4760R 47 1/4"L x 33 1/4"D x 63 1/8"H
- CO5960R 59 1/4"L x 33 1/4"D x 63 1/8"H
- CO7160R 71 1/4"L x 33 1/4"D x 63 1/8"H

**NOTE: Roll Down Security Cover Option Increases Height of Case by 7"**

STANDARD FEATURES

- Compressor air-Compressor air front intake, rear discharge. Front panel cannot be blocked. Must remain 4 in. from wall
- Light-T-8 top light(s)
- Evaporator pan-Electric condensate pan (self-contained refriger. only)
- Warranty-One year parts & labor; 1-5 year compressor warranty
- Temp-Integrated average product temperature of 41°F or less
- Deck-Removable deck pans provide complete access to evaporator coil & refrigeration connections
- Shelves-Shelving removable and adjustable on 1" centers
- Base-Casters

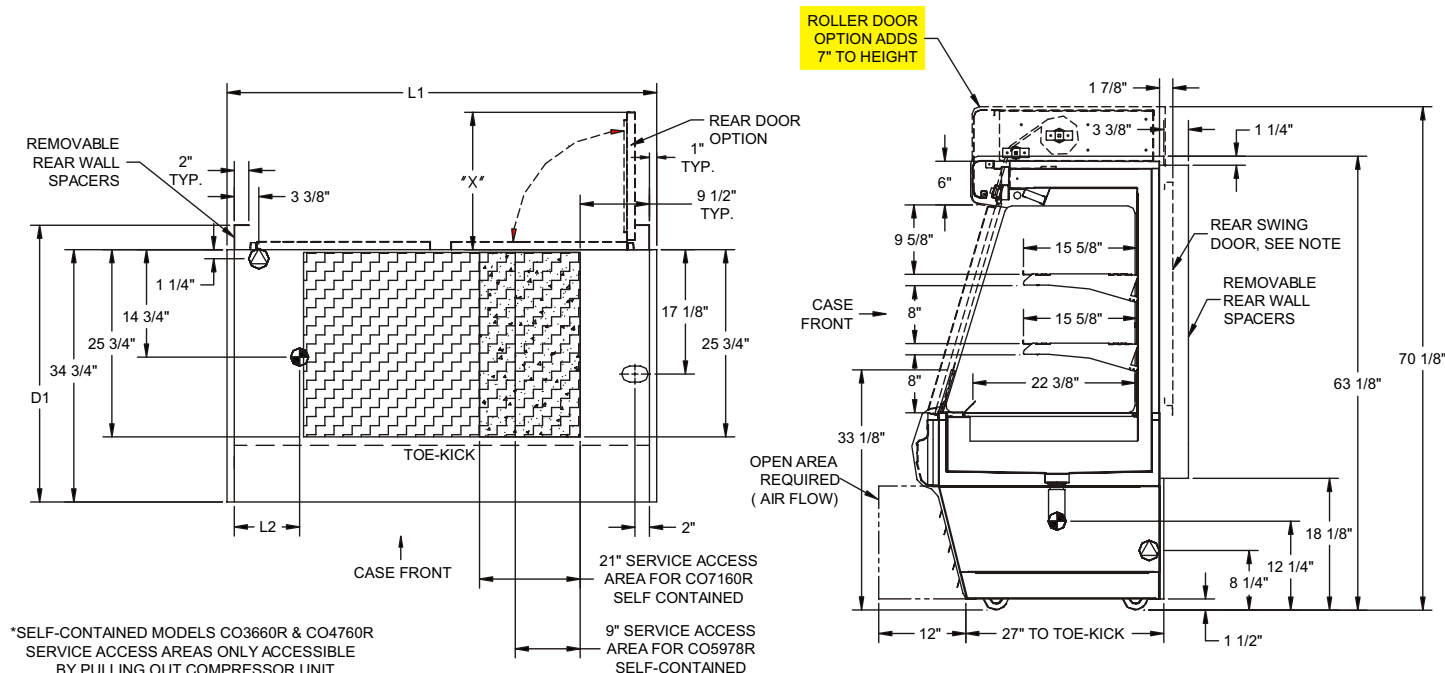
	STANDARD SPECIFICATION	OPTION(s)
END PANEL COLOR	<input type="checkbox"/> Black exterior	<input type="checkbox"/> Laminated exterior (Wilsonart/Formica premium) <input type="checkbox"/> Laminated exterior (Wilsonart/Formica non-premium) <input type="checkbox"/> Stainless steel exterior
END PANEL EDGE	<input type="checkbox"/> Vinyl end panel edge (matches interior color)	<input type="checkbox"/> Laminated end panel edge (Q4296)
LOWER FRONT PANEL COLOR	<input type="checkbox"/> Black exterior	<input type="checkbox"/> White exterior <input type="checkbox"/> Stainless steel exterior
MISCELLANEOUS	<input type="checkbox"/> None	<input type="checkbox"/> Clean Sweep® coil cleaner
UPPER FRONT PANEL COLOR	<input type="checkbox"/> Black exterior	<input type="checkbox"/> Painted exterior (specify color) <input type="checkbox"/> Laminated exterior (Wilsonart/Formica premium) <input type="checkbox"/> Laminated exterior (Wilsonart/Formica non-premium) <input type="checkbox"/> Stainless steel exterior
UPPER FRONT PANEL STYLE	<input type="checkbox"/> Flat front panel	<input type="checkbox"/> Formed ABS (painted)
UPPER REAR	<input type="checkbox"/> Solid back panel, galvanized	<input type="checkbox"/> Solid back panel, stainless steel <input type="checkbox"/> Solid rear swinging door(s) w/lock <input type="checkbox"/> Solid back panel, black
INTERIOR COLOR	<input type="checkbox"/> Black interior	<input type="checkbox"/> White interior <input type="checkbox"/> Stainless steel interior
COVER/CURTAIN	<input type="checkbox"/> None	<input type="checkbox"/> Roll down security cover, locking (inc. ht. 7") <input type="checkbox"/> Night curtain, retractable, non-locking <input type="checkbox"/> Solid security cover, removable, locking
REFRIGERATION	<input type="checkbox"/> Breeze™ refrigeration	<input type="checkbox"/> EnergyWise refrigeration <input type="checkbox"/> Whisper Cool compressor blanket (Breeze only) <input type="checkbox"/> Note: Remote doesn't incl Conds unit. Floor drain reqd. <input type="checkbox"/> Remote w/thermostat, solenoid & TXV <input type="checkbox"/> Breeze-E refrigeration <input type="checkbox"/> Remote w/TXV
END PANEL LEFT	<input type="checkbox"/> Full end panel w/mirror interior	<input type="checkbox"/> Cutaway end panel <input type="checkbox"/> Counter cutaway end panel (Q4292)
END PANEL RIGHT	<input type="checkbox"/> Full end panel w/mirror interior	<input type="checkbox"/> Cutaway end panel <input type="checkbox"/> Counter cutaway end panel (Q4292)
SHELVING	<input type="checkbox"/> Solid shelves, non-lighted	<input type="checkbox"/> No lip shelves (Q4328), non-lighted (up to 5) <input type="checkbox"/> Additional solid shelf, lighted (LED) <input type="checkbox"/> Solid shelves, lighted (LED) <input type="checkbox"/> Additional solid shelf, lighted (T-8) <input type="checkbox"/> Additional solid shelf, non-lighted <input type="checkbox"/> Solid shelves, lighted (T-8)
BUMPER	<input type="checkbox"/> None	<input type="checkbox"/> 2" bumper on front (specify color)

Intended Use of Display Area: Packaged refrigerated products  
 Integrated Product Temperature (IPT): 41°F  
 Intended Environment: Designed to operate in ambient conditions of 75°F / 55% relative humidity.

### PLAN VIEW

### SIDE VIEW

NOTE: CO3660R - (X) = 30" - (1) DOOR RH HINGED  
 CO4760R - (X) = 19" - (2) DOORS RH & LH HINGED  
 CO5960R - (X) = 19 5/8" - (2) DOORS RH & LH HINGED  
 CO7160R - (X) = 30" - (2) DOORS RH & LH HINGED



"D1"	Solid Back	Rear Doors
Flat Front	33 1/4"	35 1/8"
Curved Front	35"	36 7/8"

NOTE: ALL DIMENSIONS APPROXIMATE

- ELECTRICAL JUNCTION BOX (SUPPLIED WITH 6" LEADS OR POWER CORD).
- REFRIGERATION LINE CONNECTION.
- SELF-CONTAINED CASE SERVICE ACCESS AREA.
- LOCATION OF CONDENSATE DRAIN TUBE (SUPPLIED WITH 3/4" OR 1 1/2" PVC DRAIN TUBE).
- REMOTE CASE SERVICE ACCESS AREA.
- DRY CASE SERVICE ACCESS AREA.

Standard Refrigeration (based on Type I conditions: 75°F, 55% Relative Humidity)													
Model	Self-Contained Refrigeration/Dry						Remote Refrigeration w/Leads					Ship Wt	Frt Cls
	L1*	L2*	Volts++	Amps (std lights)	Amps (LED lights)	NEMA Plug	Volts	Amps (std lights)***	Amps (LED lights)***	BTUH			
CO3660R	36 1/4	5 1/8	120/1/60	15.65	15.03	NEMA 5-20 P	120/1/60	2.32	1.7	3973	800	110	
CO4760R	47 1/4	11	220/1/60**	11.77	11.65	NEMA 14-20 P	120/1/60	1.87	1.75	4017	950	110	
CO5960R	59 1/4	22 1/2	220/1/60**	12.94	12.82	NEMA 14-20 P	120/1/60	2.69	2.57	4729	1100	110	
CO7160R	71 1/4	18 1/2	220/1/60**	14.89	13.65	NEMA 14-20 P	120/1/60	3.16	1.92	5452	1200	110	

Breeze-E Refrigeration (based on Type II conditions: 80°F, 60% Relative Humidity)****													
Model	Self-Contained Refrigeration/Dry						Remote Refrigeration w/Leads					Ship Wt	Frt Cls
	L1*	L2*	Volts++	Amps (std lights)	Amps (LED lights)	NEMA Plug	Volts	Amps (std lights)***	Amps (LED lights)***	BTUH			
CO3660R	36 1/4	5 1/8	120/1/60	16.08	15.46	NEMA 5-20 P	N/A	3.38	2.2	3973	800	110	
CO4760R	47 1/4	11	220/1/60**	16.92	16.8	NEMA 14-20 P	N/A	2.93	1.75	4017	950	110	
CO5960R	59 1/4	22 1/2	220/1/60**	14.09	13.97	NEMA 14-20 P	N/A	3.5	2.84	4729	1100	110	
CO7160R	71 1/4	18 1/2	220/1/60**	15.53	14.29	NEMA 14-20 P	N/A	7.44	5.58	5452	1200	110	

EnergyWise Refrigeration (based on Type I conditions: 75°F, 55% Relative Humidity)													
Model	Self-Contained Refrigeration/Dry						Remote Refrigeration w/Leads					Ship Wt	Frt Cls
	L1*	L2*	Volts++	Amps (std lights)	Amps (LED lights)	NEMA Plug	Volts	Amps (std lights)***	Amps (LED lights)***	BTUH			
CO3660R	36 1/4	5 1/8	120/1/60	8.04	7.42	NEMA 5-20 P	120/1/60	2.32	1.7	3973	800	110	
CO4760R	47 1/4	11	120/1/60	12	11.88	NEMA 5-20 P	120/1/60	1.87	1.75	4017	950	110	
CO5960R	59 1/4	22 1/2	120/1/60	14.5	14.38	NEMA 5-20 P	120/1/60	2.69	2.57	4729	1100	110	
CO7160R	71 1/4	18 1/2	220/1/60**	10.53	9.29	NEMA 14-20 P	120/1/60	3.16	1.92	5452	1200	110	

++Operating range for 120 volt rating is 110-120 volts; operating range for 220 volt rating is 208-230 volts.

\*\* Requires 3 wires + ground

\*\*\* Does not include electric defrost on freezer models

\*\*\*\* Energy consumption will be less under Type I conditions; Example: 10% Less on CO5978R

#### REGULATORY APPROVALS

- ETL Listed Certified to CAN/CSA 22.2
- ETL Sanitation Conforms to NSF 7
- ETL Listed Conforms to UL 471
- Rated in Accordance with ARI Standard 1200

#### Important Note:

Compressor air ventilation is out the rear. Unit must remain 4" from the wall and front panel cannot be blocked. Product temperature will be affected if the air curtain is disrupted.

#### Important Note:

Electrical voltage and amperage requirements differ per model.

#### Important Note:

If units are supplied with levelers, they must be adjusted during installation to ensure the unit is level and plumb.

#### Important Note:

This unit includes 3 1/8" removable spacers along the rear. 40 1/4" minimum door entry clearance is required (without shipping skid). 36 3/4" minimum door entry is required if spacers are removed.