

Slimline

Spec Sheet No. SL-3

Job Name _____

Item # _____ Qty. _____

Model # _____

Ice Chests

8" Deep

SLJ-15
SLJ-24
SLJ-36

8" Deep w/ Cold Plate

SLJ-24-7
SLJ-36-7

16" Deep

SLI-16-24
SLI-16-30
SLI-16-36

16" Deep w/ Cold Plate

SLI-16-24-7
SLI-16-30-7
SLI-16-36-7

12" Deep

SLI-12-12
SLI-12-24
SLI-12-30
SLI-12-36
SLI-12-42
SLI-12-48

12" Deep w/ Cold Plate

SLI-12-24-7
SLI-12-30-7
SLI-12-36-7
SLI-12-42-7
SLI-12-48-7



SLJ-24 is shown.

Specifications

•**Ice Bin:** 22 gauge 300 series stainless steel.

•**Front Apron:** 22 gauge 300 series stainless steel.

•**Sides:** 20 gauge 430 series stainless steel.

•**Backsplash:** 22 gauge 300 series stainless steel.

•**Insulation:**
2 lb. density styrofoam - non cold plate.
2 lb. density foam-in-place - cold plate.

•**Under Structure:** 22 gauge galvaneal fronts and backs, 11 gauge electrogalvaneal leg channel.

•**Legs:** 1-5/8" O.D. 18 gauge galvanized with electro static black powder coat and black plastic adjustable bullet feet. To include stainless steel legs add the suffix -SS.(Optional)

•**Cold Plate:** Cast aluminum with 7 circuits sealed into the bottom. Tubing to have 5 syrup and 2 water lines with 5/16" diameter stainless steel bump and swedge ends. (Optional)

•**Plumbing:**
1" I.P.S. drain - non cold plate chest.
1/2" I.P.S. drain - cold plate chest.

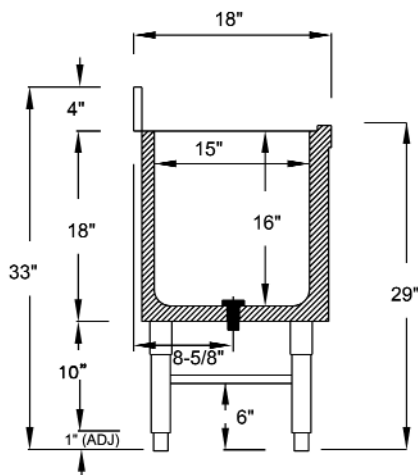
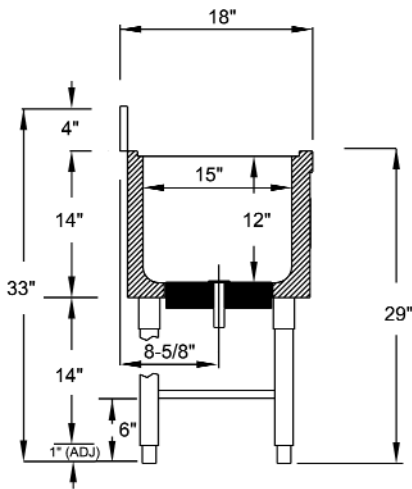
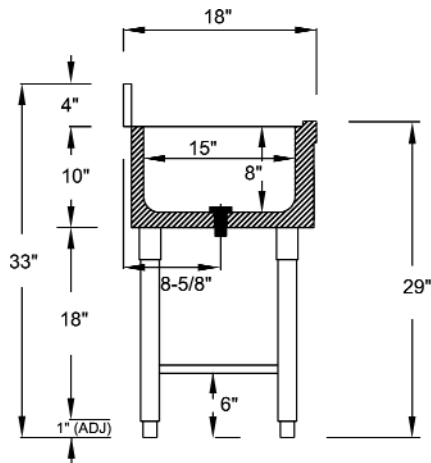
•**Bottle Rack:** (2) Injection molded plastic.



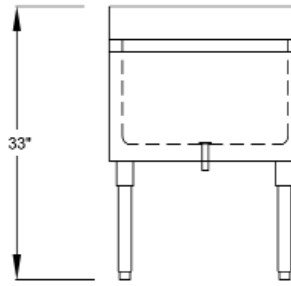
Supreme Metal

Toll Free: 800-645-2526
Fax: 770-740-6010
www.suprememetal.com

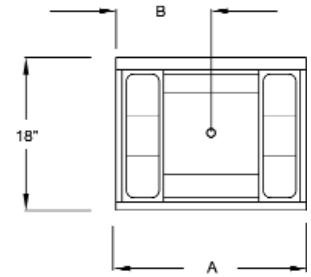
Slimline



Sectional View



Elevation



Plan View

Model Number	Overall Length (A)	Dis. to Drain (B)	Ice Capacity	Packaged Weight	Cubic Feet
8" Deep Ice Bins					
SLJ-15	15"	7.5"	30 lbs.	40 Lbs.	6
SLJ-24	23"	11.5"	54 lbs.	48 Lbs.	7
SLJ-36	35"	17.5"	83 lbs	62 Lbs.	9.3
8" Deep Ice Bins w/ 7 Circuit Cold Plates					
SLJ-24-7	23"	11.5"	54 lbs.	82 lbs.	6
SLJ-36-7	35"	17.5"	83 lbs.	94 lbs.	9.3
12" Deep Ice Bins					
SLI-12-12	12"	6"	35 lbs.	26 Lbs.	6
SLI-12-24	23"	11.5"	77 lbs.	52 Lbs.	7
SLI-12-30	29"	14.5"	98 lbs.	60 Lbs.	11
SLI-12-36	35"	17.5"	119 lbs.	68 Lbs.	12.6
SLI-12-42	41"	20.5"	140 lbs.	72 Lbs.	12.8
SLI-12-48	47"	23.5"	161 lbs.	80 Lbs.	13.5
12" Deep Ice Bins w/ 7 Circuit Cold Plates					
SLI-12-24-7	23"	11.5"	77 lbs.	88 Lbs.	7
SLI-12-30-7	29"	14.5"	98 lbs.	92 Lbs.	11
SLI-12-36-7	35"	17.5"	119 lbs.	982 Lbs.	12.6
SLI-12-42-7	41"	20.5"	140 lbs.	105 Lbs.	12.8
SLI-12-48-7	47"	23.5"	161 lbs.	110 Lbs.	13.5
16" Deep Ice Bins					
SLI-16-24	23"	11.5"	100 lbs.	61 lbs.	7
SLI-16-30	29"	14.5"	127 lbs.	69 lbs.	11.5
SLI-16-36	35"	17.5"	155 lbs.	77 lbs.	15.5
16" Deep Ice Bins w/ 7 Circuit Cold Plates					
SLI-16-24-7	23"	11.5"	100 lbs.	963 lbs.	7
SLI-16-30-7	29"	14.5"	127 lbs.	104 lbs.	11.5
SLI-16-36-7	35"	17.5"	155 lbs.	112 lbs.	15.5

SupremeMetal is constantly engaged in a program of improving their products. We reserve the right to change our specifications without prior notice.

Slimline

Spec Sheet No. SL-11

Job Name _____

Item # _____ Qty. _____

Model # _____

Blender Station with Dump Sink

Model #
SL-RS-12
SL-RS-15

Note: Units are supplied with two individual legs and one leg channel for universal mounting. (right or left)



SL-RS-15 is shown.

Specifications

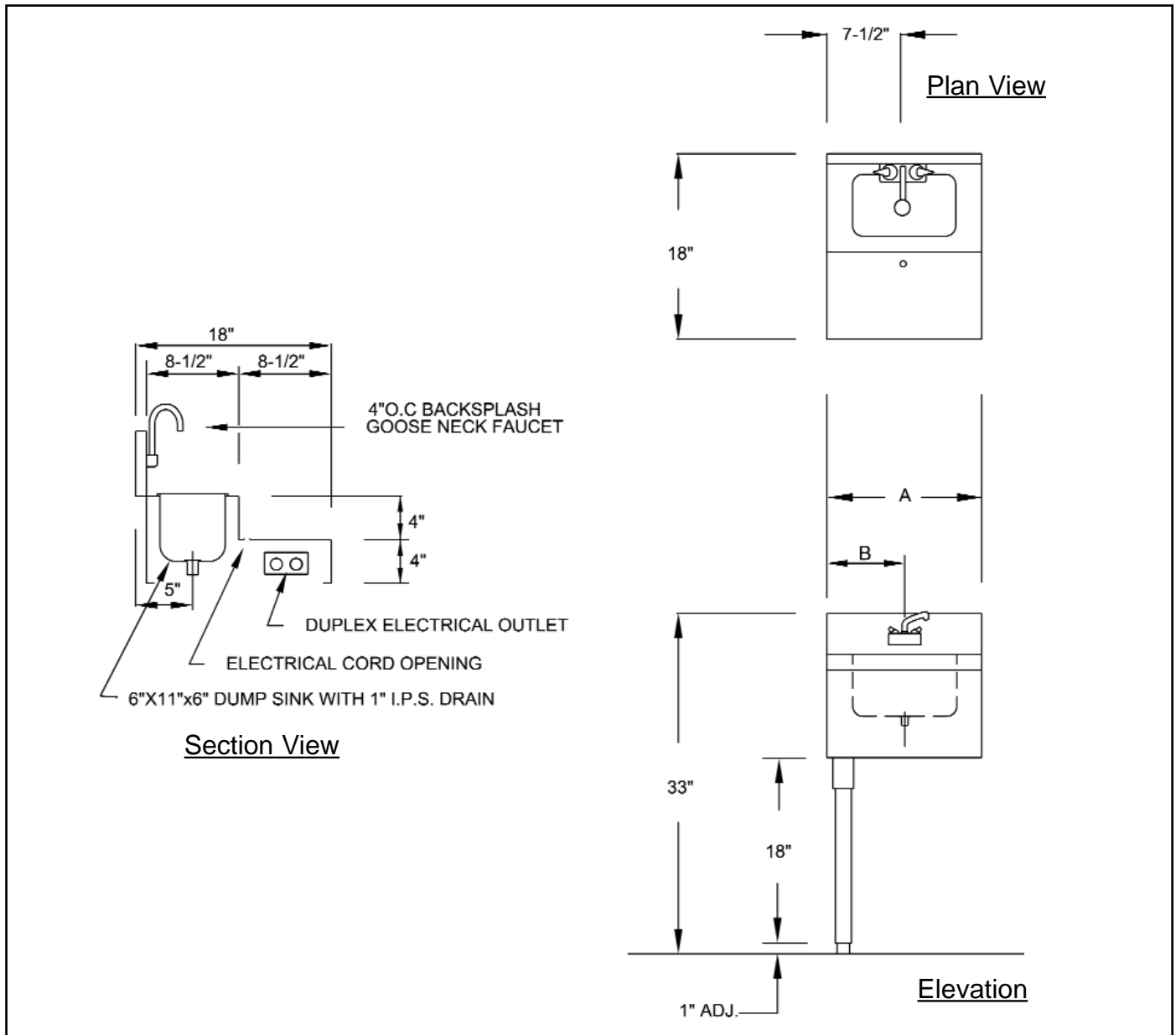
- Sink Bowl:** 6"L x 11"W x 6"D 20 gauge 300 series stainless steel seamless deep drawn.
- Recess Step:** 22 gauge 300 series stainless steel.
- Electrical:** 15A - 120V duplex receptacle.
- Backsplash:** 22 gauge 300 series stainless steel.
- Sides:** 16 gauge 430 series stainless steel.
- Legs:** 1-5/8" O.D. 18 gauge galvanized with electro static black powder coat and black plastic adjustable bullet feet. To include stainless steel legs add the suffix -SS.(Optional)
- Plumbing:** 1" I.P.S. drain.
- Faucet:** 4" on center splash mount with gooseneck swivel spout.



Supreme Metal

Toll Free: 800-645-2526
Fax: 770-740-6010
www.suprememetal.com

Slimline



Model Number	Over All Length (A)	Distance to Drain (B)	Weight	Cubic Feet
SL-RS-12	12"	6"	20	4
SL-RS-15	15"	7.5"	21	4

SupremeMetal is constantly engaged in a program of improving their products. We reserve the right to change our specifications without prior notice.