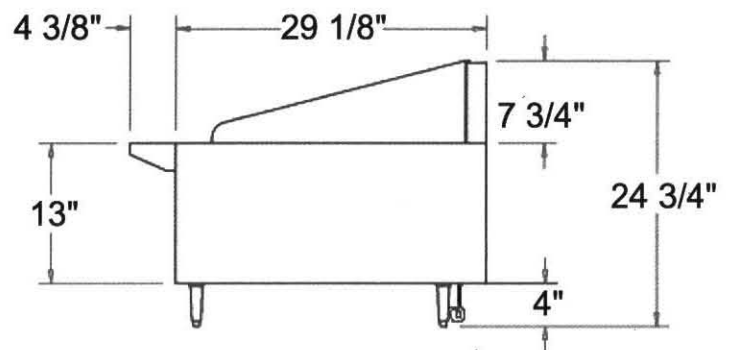
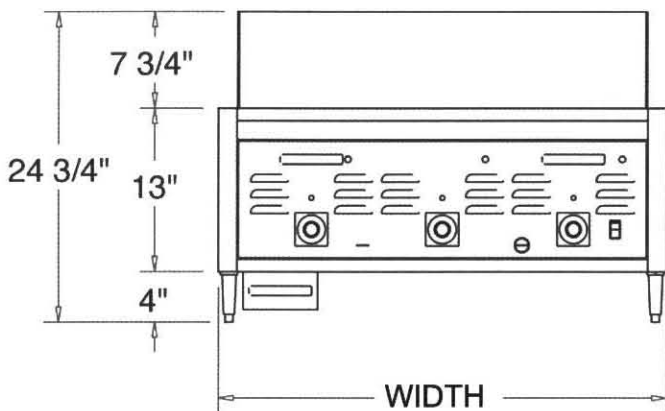
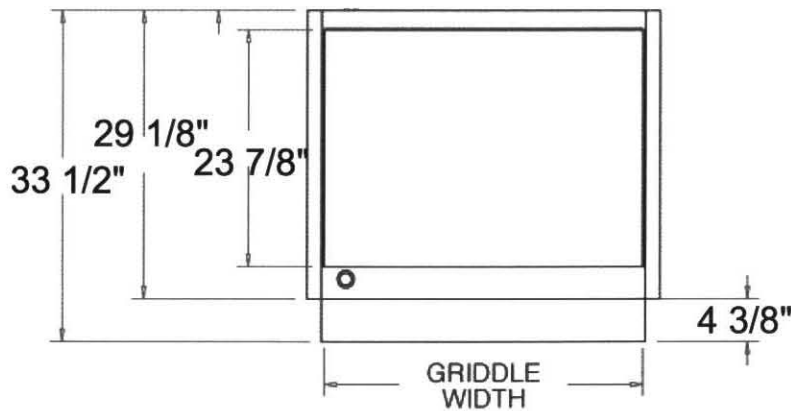


TEC® Infra-Red Griddles

Specification Drawings



Model Number	Overall Width	Overall Depth	Griddle Plate		Grease Drawer Capacity	No. of Burners	Total BTU Input	Shipping Weight
			Width	Depth				
IR-3024-S	24 in.	33 1/2 in.	20 1/2 in.	23 7/8 in.	2 1/4 gal.	2	70,000	285 lbs.
IR-3036-S	36 in.	33 1/2 in.	32 1/2 in.	23 7/8 in.	2 1/4 gal.	3	105,000	375 lbs.
IR-3048-S	48 in.	33 1/2 in.	44 1/2 in.	23 7/8 in.	2 1/4 gal.	4	140,000	465 lbs.

Thermal Engineering Corporation

Post Office Box 868

Columbia, South Carolina 29202-0868

803 783-0750 Toll Free: 800 331-0097

Toll Free Fax: 888 581-0286

www.tecinfrared.com



©2006 Thermal Engineering Corporation
U.S. Patent Nos. 6,114,666 and 4,886,044
and 4,321,857. Other Patents Pending.