



# HOT PLATE

**ELECTRIC**

## HOT PLATE ELECTRIC



*"Anvil's Hot Plate is ideal for continuous work offering performance and reliability."*

#### APPLICATION

- IS IDEAL FOR SMALL COFFEE SHOPS, RESTAURANTS, CONVENIENCE STORES AND CATERERS
- SUITABLE FOR CONTINUOUS USE

#### CONSTRUCTION

- STAINLESS STEEL THROUGHOUT
- SAFETY REAR SKIRT
- (2) 9" SOLID PLATES
- ONE FRONT-MOUNTED CONTROL KNOB PER PLATE ALLOWING ADJUSTABLE HEAT CONTROL

Anvil reserves the right, without notice, to make changes and revisions to product specifications, materials and design, which in our opinion, will provide better performance, durability and efficiency.

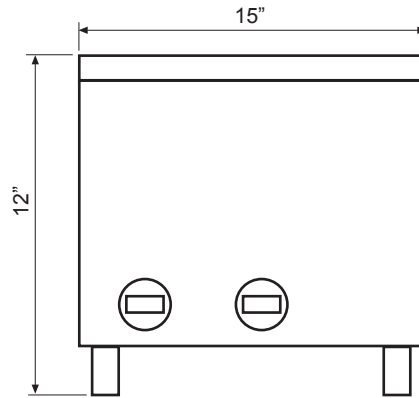
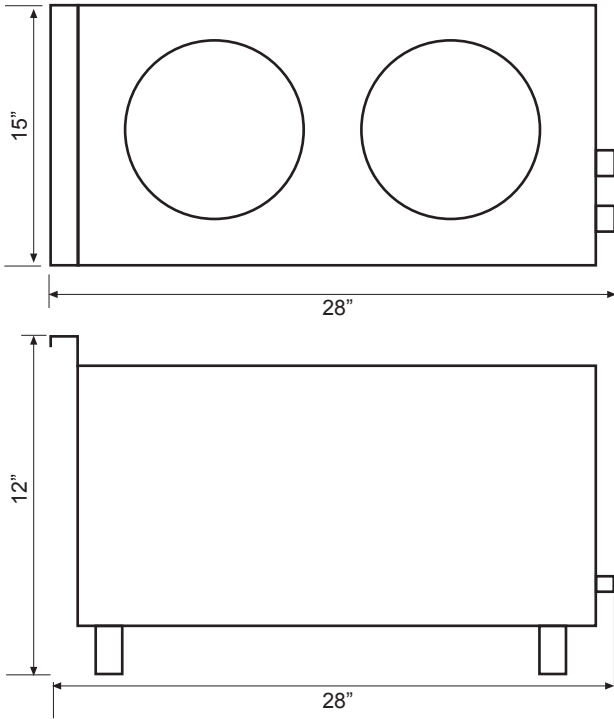



ALL ANVIL EQUIPMENT COMES WITH A ONE YEAR WARRANTY ON COMPONENTS AND DEFECTIVE WORKMANSHIP



**NOTE:**  
 When viewing the appliance from the front in its usual operating position, the width (W) of the product is the total distance from left to right ; the depth (D) of the product is the total distance from front to back ; the height (H) is the total distance from the bottom of the product to the top

**HOT PLATE  
 ELECTRIC**      **MODEL:  
 STA8002**



DESCRIPTION	HOT PLATE
<b>MODELS</b>	STA8002
<b>VOLTAGE (V)</b>	220
<b>POWER (kW)</b>	4
<b>DIMENSIONS (in) (W x D x H)</b>	15 x 28 x 12
<b>BOX DIMNS (in) (W x D x H)</b>	16 x 29 x 10
<b>PACKED WEIGHT (LBS)</b>	28
	

Note: Output performance figures quoted are dependant on various factors.

Website: [www.anvilworld.com](http://www.anvilworld.com)



SLR\_ANVIL\_USA\_02\_1